

# MIXTURE CONTROL (MC) SOLENOIDS

## WHAT THEY DO

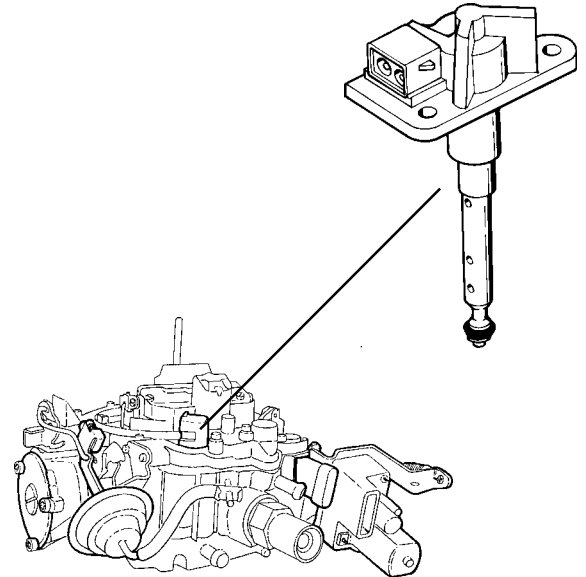
Adjust fuel mixture in computer controlled carburetors based on a signal from the oxygen sensor.

## FAILURE SYMPTOMS

Watch for service flag or "Check Engine" light.

## MAINTENANCE/ SERVICE

Perform periodic emissions checks. Replace according to manufacturer's specifications.



YEAR	ENGINE	MODEL	OE #	PART #
------	--------	-------	------	--------

## AMC

### 4 cyl.

1987-84	2.5L (U) 151"		8983500919	8513
---------	---------------	--	------------	------

## BUICK

### 4 cyl.

1982	1.8L (G) 112"		17066911,17067586,17111445	8500
1981-80	2.5L (5) 151"		17066911,17067586,17111445	8500

### 6 cyl.

1986-80	2.8L (L,X,Z,7) 173"		17066911,17067586,17111445	8500
1985-82	3.0L (E) 181"		17067343,344,17111102	8501
1987-81	3.8L (A,3,8) 231"		17067343,344,17111102	8501
1980-79	3.8L (A,3) 231"		17058167,17063279	8502
1984-81	4.1L (4) 252"		17067343,344,17111102	8501

### 8 cyl.

1981	4.3L (S) 265"		17067343,344,17111102	8501
1990-81	5.0L (H) 305"		17067343,344,17111102	8501
1990-81	5.0L (Y) 307"		17067343,344,17111102	8501
1980	5.0L (H) 305"		17063279	8502
1980	5.7L (R,X) 350"		17063279	8502

# MIXTURE CONTROL SOLENOIDS

YEAR	ENGINE	MODEL	OE #	PART #
<b>CADILLAC</b>				
<b>4 cyl.</b>				
1982	1.8L (G) 112"		17066911,17067586,17111445	8500
<b>8 cyl.</b>				
1982-81	4.1L (4) 252"		17067343,344,17111102	8501
1990-86	5.0L (Y,9) 307"		17067343,344,17111102	8501
1980	6.0L (9) 368"		17058167,17063279	8502

## CHEVROLET

<b>4 cyl.</b>				
1985	1.0L (M) 61"		17066911,17067586,17111445	8500
1987-82	1.6L (C) 98"		14069862	8505
1981	1.6L (9) 98"		14039067	8504
1980	1.6L (0,9) 98"		14033474	8503
1982	1.8L (G) 112"		17066911,17067586,17111445	8500
1981-79	2.5L (V,5) 151"		17066911,17067586,17111445	8500
<b>6 cyl.</b>				
1986-80	2.8L (X,Z,1,7) 173"		17066911,17067586,17111445	8500
1987-81	3.8L (A,3) 231"		17067343,344,17111102	8501
1984-81	3.8L (K,9) 229"		17067343,344,17111102	8501
1980	3.8L (K) 229"		17058167,17063279	8502
1980-79	3.8L (A,3) 231"		17058167,17063279	8502
<b>8 cyl.</b>				
1982-81	4.4L (J) 267"		17067343,344,17111102	8501
1990-81	5.0L (G,H) 305"		17067343,344,17111102	8501
1990-81	5.0L (Y) 307"		17067343,344,17111102	8501
1984-82	5.0L (G,H) 305"		17066911,17067586,17111445	8500
1980	5.0L (H) 305"		17063279	8502
1981	5.7L (L,6) 350"		17067343,344,17111102	8501

## CHEVROLET TRUCK

<b>6 cyl.</b>				
1985-82	2.8L (B) 173"		17066911,17067586,17111445	8500
1982-81	3.8L (K) 229"		17067343,344,17111102	8501
1980	3.8L (K) 229"		17058167,17063279	8502
1980-79	3.8L (A) 231"		17058167,17063279	8502
1984-83	4.1L (D) 250"		17066911,17067586,17111445	8500
1986-85	4.3L (N) 262"	(M/T)	17067343,344,17111102	8501
<b>8 cyl.</b>				
1982-81	4.4L (J) 267"		17067343,344,17111102	8501
1984-81	5.0L (F,G,H) 305"		17067343,344,17111102	8501
1980	5.0L (G,H) 305"		17063279	8502
1984-83	5.7L (L,M,P) 350"		17067343,344,17111102	8501

# MIXTURE CONTROL SOLENOIDS

YEAR	ENGINE	MODEL	OE #	PART #
------	--------	-------	------	--------

## CHRYSLER

### 4 cyl.

1987-82	2.2L (B,C,F) 135"		4271986,987,4293736,751 - w/carb # R-9897,898,9919, 920,40006-1,-2,40014-1,-2	8511
1982	2.2L (B) 135"		4271886,887 - w/carb # R-9503,504,505,506,507,508,509, 510,9751	8508

### 6 cyl.

1983-81	3.7L (E,F) 225"		4267153,219 - w/carb # 9129,9695,9760 (incl. CA & 1Bbl.)	8510
---------	-----------------	--	--	------

### 8 cyl.

1989-88	5.2L (P) 318"		4397645,4467017,021	8512
1989-85	5.2L (P,4) 318"		4342861 (2Bbl.)	8509
1987	5.2L (P) 318"		4342882 (4Bbl.)	8501
1985	5.2L (P,4) 318"		4342882 (4Bbl.)	8501
1983	5.2L (P,4) 318"		4240127 (2Bbl.)	8517
1982-81	5.2L (N) 318"		4267135 (4Bbl.)	8518

## DODGE

### 4 cyl.

1986-83	1.6L (A,B,3) 98"		4271986,4293736,751	8511
1983-81	1.7L (A,B) 105"		4267112,114,115,4293764,765 - w/carb # R-9052,053,054, 055,9497,9822,823,824,9937,938	8507
1980	1.7L (A) 105"		4240055 - w/carb # R-9395,398	8506
1987-82	2.2L (B,C,8) 135"		4271986,987,4293736,751 - w/carb # R-9897,898,899, 9919,920,40006-1,-2,40014-1,-2	8511
1982	2.2L (B) 135"		4271886,887 - w/carb # R-9503,504,505,506,507,508,509, 510,9751	8508
1982-81	2.2L (B) 135"		4267112,113,114,115,4293713,714,764,765 - w/carb # R-9060,061,062,063,9125,126,127,128,9602,603,604,605, 650,652,653,654,9753,9868,869,870,871,9940,941,942	8507

### 6 cyl.

1983-81	3.7L (E,F,J,H) 225"		4267153,219 - w/carb # R-9129,9695,9760 (incl. CA & 1Bbl.)	8510
---------	---------------------	--	--	------

### 8 cyl.

1989	5.2L (P) 318"		4397645,4467017,021	8512
1987	5.2L (P,4) 318"		4342882 (4Bbl.)	8501
1986	5.2L (P,4) 318"		4342861 (2Bbl.)	8509
1985	5.2L (P,4) 318"		4342882 (4Bbl.)	8501
1983	5.2L (P,4) 318"		4240127 (2Bbl.)	8517
1981	5.2L (M,N) 318"		4267135 (4Bbl.)	8518

## DODGE TRUCK

### 4 cyl.

1987-86	2.2L (C,F,8) 135"	(M/T)	4293736,751	8511
---------	-------------------	-------	-------------	------

### 6 cyl.

1987-82	3.7L (E,H,N) 225"		4267219 - w /carb # 40029,-1,40030,-1 (incl. CA & 1Bbl.)	8510
1983-82	3.7L (M,W) 225"		4240127 - w/carb # 8371 (2Bbl.)	8517
1987-86	3.9L (M) 239"		4467017	8512

# MIXTURE CONTROL SOLENOIDS

YEAR	ENGINE	MODEL	OE #	PART #
<b>DODGE TRUCK (Contd)</b>				
<b>8 cyl.</b>				
1987	5.2L (T) 318"		4467017 - w/carb #40330	8512
1987-84	5.2L (T) 318"		4342861,4467011 - w/carb # 40132,-1,133,-1,40221,222	8509
1985-82	5.2L (P,T) 318"		4240127 - w/carb # 8358,359,374	8517

## FORD

<b>4 cyl.</b>				
1986-83	2.3L (A,R) 140"		E4PZ-9S565C	8516
<b>6 cyl.</b>				
1985-83	3.8L (3) 232"		E4AZ-9S565C	8519

## FORD TRUCK

<b>4 cyl.</b>				
1984-83	2.0L (C) 122"	(M/T)	E4PZ-9S565C	8516
1984-83	2.3L (A,3) 140"		E4PZ-9S565C	8516
<b>6 cyl.</b>				
1986-83	2.8L (S) 170"		E3TZ-9S565A	8520
1983	3.8L (3) 232"		E4AZ-9S565C	8519
1986	4.9L (Y) 300"		E3PZ-9S565C,E4PZ-B	8515
1983	4.9L (Y) 300"		E3PZ-9S565C,E4PZ-B	8515
<b>8 cyl.</b>				
1985-83	5.0L (F) 302"		E3TZ-9S565A	8520
1985-84	5.8L (G,H) 351"		E3TZ-9S565A	8520

## GM TRUCK

<b>6 cyl.</b>				
1985-82	2.8L (B) 173"		17066911,7586,17111445	8500
1982-81	3.8L (K) 231"		17067343,344,17111102	8501
1980	3.8L (K) 229"		17058167,17063279	8502
1980-79	3.8L (A) 231"		17058167,17063279	8502
1984-83	4.1L (D) 250"		17066911,7586,17111445	8500
1986-85	4.3L (N) 262"	(M/T)	17067343,344,17111102	8501
<b>8 cyl.</b>				
1982-81	4.4L (J) 267"		17067343,344,17111102	8501
1984-81	5.0L (F,G,H) 305"		17067343,344,17111102	8501
1980	5.0L (G,H) 305"		17063279	8502
1984-83	5.7L (L,M,P) 350"		17067343,344,17111102	8501

## JEEP

<b>6 cyl.</b>				
1986-84	2.8L (W) 173"		8133504,8983501037	8500
1986-84	4.2L (C) 258"		8133504,8983501037	8500

# MIXTURE CONTROL SOLENOIDS

YEAR	ENGINE	MODEL	OE #	PART #
------	--------	-------	------	--------

## MERCURY

### 4 cyl.

1985-83	2.3L (A,R) 140"		E4PZ-9S565C	8516
1984-83	3.8L (C,3) 232"		E4AZ-9S565C	8519

## NISSAN

### 4 cyl.

1986	1.6L (E16) 97"	Pulsar, Stanza	16100-33M20	8522
1986-84	1.6L (E16) 97"	Pulsar, Stanza	16100-33M14	8521

## OLDSMOBILE

### 4 cyl.

1982	1.8L (G) 112"		17066911,17067586,17111445	8500
1981-80	2.5L (V,5) 151"		17066911,17067586,17111445	8500

### 6 cyl.

1986-81	2.8L (X,Z) 173"		17066911,17067586,17111445	8500
1985-84	3.0L (E) 181"		17067343,344,17111102	8501
1987-81	3.8L (A) 231"		17067343,344,17111102	8501
1980-79	3.8L (A,2) 231"		17058167,17063279	8502
1984-81	4.1L (4) 252"		17067343,344,17111102	8501

### 8 cyl.

1981	4.3L (F) 260"		17067343,17111102	8501
1990-81	5.0L (H) 305"		17067343,344,17111102	8501
1990-81	5.0L (Y) 307"		17067343,344,17111102	8501
1980	5.0L (H) 305"		17063279	8502
1980	5.7L (R) 350"		17063279	8502

## PLYMOUTH

### 4 cyl.

1986-83	1.6L (A) 98"		4271986,4293736,751	8511
1983-81	1.7L (A,B) 105"		4267112,114,115,4293764,765 - w/carb # R-9052,053,054, 8507 055,9497,9822,823,824,9937,938	
1980	1.7L (A) 105"		4240055 - w/carb # R-9395,398	8506
1987-82	2.2L (B,C,F,8) 135"		4271986,987,4293736,751 - w/carb # R-9897,898,899, 8511 9919,920,40006-1,-2,40014-1,-2	
1982	2.2L (B) 135"		4271886,887 - w/carb # R-9503,504,505,506,507,508,509, 8508 510,9751	
1982-81	2.2L (B) 135"		4267112,113,114,115,4293713,714,764,765 - w/carb # 8507 R-9060,061,062,063,9125,126,127,128,9602,603,604,605, 650,652,653,654,9753,9868,869,870,871,9940,941,942	

### 6 cyl.

1983-81	3.7L (E,F,H,J) 225"		4267153,219 - w/carb # R-9129,9695,9760 (incl. CA & 1Bbl.) 8510
---------	---------------------	--	---

### 8 cyl.

1989	5.2L (P,4) 318"		4397645,4467017,021	8512
1988-87	5.2L (S) 318"		4342882 (4Bbl.)	8501
1986	5.2L (P,4) 318"		4342861 (2Bbl.)	8509

# MIXTURE CONTROL SOLENOIDS

YEAR	ENGINE	MODEL	OE #	PART #
<b>PLYMOUTH 8 cyl (Contd)</b>				
1983	5.2L (P,4) 318"		4240127 (2Bbl.)	8517
1981	5.2L (M,N) 318"		4267135 (4Bbl.)	8518

## PONTIAC

### 4 cyl.

1987-82	1.6L (C) 98"		14069862	8505
1981	1.6L (9) 98"		14039067	8504
1982	1.8L (G) 112"		17066911,17067586,17111445	8500
1981-80	2.5L (R) 151"		17066911,17067586,17111445	8500

### 6 cyl.

1986-80	2.8L (L,X,Z,1,7) 173"		17066911,17067586,17111445	8500
1987-81	3.8L (A) 231"		17067343,344,17111102	8501
1983-81	3.8L (K,9) 229"		17067343,344,17111102	8501
1980	3.8L (K) 229"		17058167,17063279	8502
1980-79	3.8L (A,2) 231"		17058167,17063279	8502

### 8 cyl.

1981	4.3L (S) 265"		17067343,344,17111102	8501
1981	4.9L (W) 301"		17067343,344,17111102	8501
1990-81	5.0L (H) 305"		17067343,344,17111102	8501
1990-81	5.0L (Y) 307"		17067343,344,17111102	8501
1980	5.0L (H) 305"		17063279	8502
1980	5.7L (X) 350"		17063279	8502

# MIXTURE CONTROL SOLENOIDS

## OEM INTERCHANGE

OEM #	PART #	OEM #	PART #	OEM #	PART #	OEM #	PART #
	<b>AMC/JEEP</b>	4271887	8508		<b>FORD</b>	17111102	8501
8133504	8500	4271986	8511	E3PZ-9S565C	8515	17111445	8500
8983500919	8513	4271987	8511	E4PZ-9S565B	8515		
8983501037	8500	4293713	8507	E4PZ-9S565C	8516		
	<b>CHRYSLER</b>	4293714	8507				<b>NISSAN</b>
		4293736	8511			16100-33M14	8521
4240055	8506	4293751	8511		<b>GENERAL MOTORS</b>	16100-33M20	8522
4240127	8517	4293764	8507	14033474	8503		
4267112	8507	4293765	8507	14039067	8504		
4267113	8507	4342822	8501	14069862	8505		
4267114	8507	4342861	8509	17058167	8502		
4267115	8507	4397645	8512	17063279	8502		
4267135	8518	4467011	8509	17066911	8500		
4267153	8510	4467017	8512	17067343	8501		
4267219	8510	4467021	8512	17067344	8501		
4271886	8508			17067586	8500		

## NUMERICAL LIST

PART #	APPLICATION & YEAR
8500	BUICK, OLDS, PONT 80-86, CAD 82, CHEV 79-86, C TRK, GMC TRK 82-85, JEEP 84-86
8501	BUICK, CHEV, OLDS, PONT 81-90, CAD 81-82,86-90, C TRK, GMC TRK 81-86, CHRY, DODGE 85 & 87, PLY 87-88
8502	BUICK, CHEV, C TRK, GMC TRK, OLDS, PONT 79-80, CAD 80
8503	CHEV 80
8504	CHEV, PONT 81
8505	CHEV, PONT 82-87
8506	DODGE, PLY 80
8507	DODGE, PLY 81-83
8508	CHRY, DODGE, PLY 82
8509	CHRY 85-89, DODGE, PLY 86, D TRK 84-87
8510	CHRY, DODGE, PLY 81-83, D TRK 82-87
8511	CHRY, DODGE, PLY 82-87, D TRK 86-87
8512	CHRY 88-89, DODGE, PLY 89, D TRK 86-87
8513	AMC 84-87
8515	F TRK 83 & 86
8516	FORD 83-86, F TRK 83-84, MERC 83-85
8517	CHRY, DODGE, PLY 83, D TRK 82-85
8518	CHRY 81-82, DODGE, PLY 81
8519	FORD 83-85, F TRK 83, MERC 83-84
8520	F TRK 83-86
8521	NISSAN 84-86
8522	NISSAN 86