

CHOKEPULL-OFFS

WHAT THEY DO

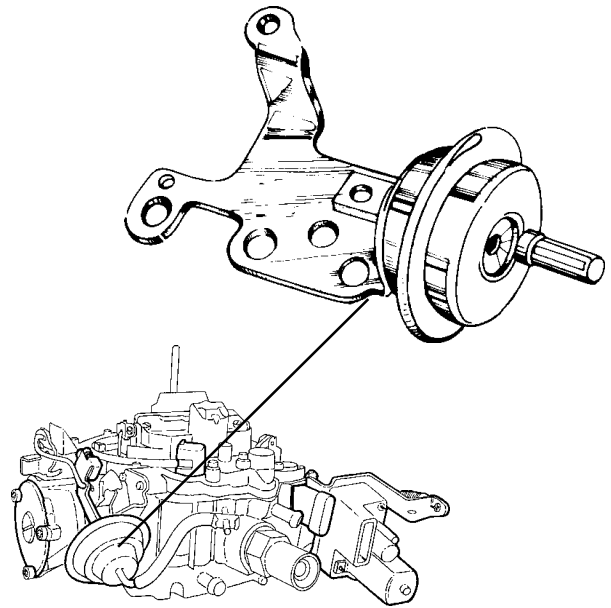
Slightly open choke plate to allow air to enter carburetor on cold start-up.

FAILURE SYMPTOMS

- Hard start
- Rich fuel mixture
- Rough cold-running engine

MAINTENANCE/SERVICE

Inspect on engine tune-up. Check when cold-running problems occur.



YEAR	ENGINE	MODEL	MFG	TYPE	OE#	PART#
------	--------	-------	-----	------	-----	-------

AMC

4 cyl.

1979-77	2.0L (G) 121"	All (Audi Eng.)	HW-2	5210	8128436,9-215	7115
1983-81	2.3L (B) 151"	All	R-2	2SE	8133993	7303
1980	2.5L (B) 151"	All (exc. CA)	R-2	2SE	8132848	7168

6 cyl.

1988-76	4.2L (C) 258"	All	C-2	BBD	8127321, 8132550, 8133461, 8134544	7063
---------	---------------	-----	-----	-----	---	------

8 cyl.

1979-77	5.0L (H) 304"	All	F-2	2100	8128313	7105
1979-70	5.0L (H) 304"	All	F-2	2100	4488478, 8120089, 8121417	7000
1979-77	5.9L (N) 360"	All	F-2	2100	8128313	7105
1978-70	5.9L (N) 360"	All	F-2	2100	4488478, 8120089, 8121417	7000
1976-75	5.9L (P) 360"	All	F-4	4300	8127372	7120

CHOKEPULL-OFFS

YEAR	ENGINE	MODEL	MFG	TYPE	OE#	PART#
BUICK						
4 cyl.						
1982	1.8L (G) 111"	Skyhawk	R-2	2SE	PRI 17068041, 17068547, 17068556, 17078787 AUX 17068548	7252 7287
1982	1.8L (G) 111"	Skyhawk (incl. Canada)	R-2	2SE	PRI 17068547 AUX 17068548	7252 7287
1984	2.0L (B) 121"	Skyhawk (incl. Canada, Export)	R-2	2SE	PRI 17079980, 17110331 AUX 17079965	7307 7306
1983-82	2.0L (B) 121"	Skyhawk	R-2	2SE	PRI 17068041, 17068547, 17068556, 17078787 AUX 17068548	7252 7287
1983	2.5L (5) 151"	All (incl. Canada, Export)	R-2	2SE	17079239	7304
1982-81	2.5L (5) 151"	All	R-2	2SE	17068102	7303
1981	2.5L (G) 151"	All (w/A/C)	R-2	E2SE	17068105	7304
1981-80	2.5L (5) 151"	All	R-2	2SE	17058485, 17062293, 17064563, 17070012	7168
6 cyl.						
1986-84	2.8L (L,X) 173"	All	R-2	2SE	PRI 17079994 AUX 17079996	7308 7224
1986-84	2.8L (L,X) 173"	All (exc. A/C, incl. Canada, Export)	R-2	2SE	PRI 17110176, 17111537 AUX 1709996	7225 7224
1985-84	2.8L (L,X) 173"	All (exc. A/C, incl. Canada, Export)	R-2	2SE	PRI 17110173 AUX 17079996	7351 7224
1983-81	2.8L (X,Z) 173"	Century, Skylark	R-2	2SE	PRI 17068637, 17078150, 17078775, 17079770 AUX 17067585, 17079618	7297 7291
1983-81	2.8L (X,Z) 173"	All (exc. A/C)	R-2	2SE	PRI 17068090, 17079570 AUX 17067585	7296 7291
1980	2.8L (7) 173"	All (exc. A/T, w/o A/C)	R-2	2SE	PRI 17062342, 17064234 AUX 17062339	7223 7224
1980	2.8L (7) 173"	All (w/A/T, w/o A/C)	R-2	2SE	PRI 17062334, 17064232 AUX 17062339	7225 7224
1985-82	3.0L (E) 181"	All	R-2	E2ME	PRI 17067466 AUX 17068802	7249 7400
1979	3.2L (C) 196"	All	R-2	M2ME	PRI 17056167, 17060808 AUX 17062251, 17063958	7249 7169

CHOKEPULL-OFFS

YEAR	ENGINE	MODEL	MFG	TYPE	OE#	PART#
BUICK 6 cyl (Contd)						
1987-81	3.8L (A) 231"	All	R-2	E2ME	PRI 17068466 AUX 17067468, 17079437, 17067488	7249 7285
1987-81	3.8L (A) 231"	All	R-2	E2ME	PRI 17067466 AUX 17068802	7249 7400
1981-78	3.8L (G) 231"	All (w/Turbo, incl. CA)	R-2	M2ME, E2ME	PRI 17060808, 17064917 AUX 17060518, 17060825	7249 7169
1980-79	3.8L (A) 231"	All	R-2	M2ME	PRI 17056167, 17060808 AUX 17062251, 17063958	7249 7169
1980-78	3.8L (3) 231"	All (w/Turbo, exc. CA)	R-4	M4ME	PRI 17050759, 17051261 AUX 17050742, 17056569, 17058294, 17061965, 17064434	7090 7086
1980-78	3.8L (3) 231"	All (w/Turbo)	R-4	M4MC	17051261	7090
1978-75	3.8L (C) 231"	All	R-2	2GC	PRI 7043585 AUX 7079893	7079 7084
1984	4.1L (4) 252"	All	R-4	M4ME	PRI 17067438 AUX 17110128	7090 7394
1983-81	4.1L (4) 252"	All	R-4	M4MC	PRI 17067333, 17070050, 17070125 AUX 17067342, 17067440, 17068927, 17068931, 17072541	7090 7395
1980-78	4.1L (4) 252"	All	R-4	M4ME	PRI 17050759, 17051261 AUX 17050742, 17056569, 17058294, 17061965, 17064434	7090 7086
1975	4.1L (D) 250"	All	R-1	MV	PRI 17052250, 17060445 AUX 7043127	7065 7082
1974-73	4.1L (D) 250"	Apollo	R-1	MV	7030918	7396
1971-68	4.1L 250"	All	R-1	MV	7034017	7002
8 cyl.						
1981	4.3L (S) 265"	Century, Regal	R-2	E2ME	PRI 17067498 AUX 17068310	7249 7285
1976-75	4.3L (F) 260"	All	R-2	2GV,2MC	7046468, 17051025, 17051027, 17052191	7083

CHOKEPULL-OFFS

YEAR	ENGINE	MODEL	MFG	TYPE	OE#	PART#
BUICK 8 cyl (Contd)						
1983-81	4.4L (J) 267"	All	R-2	M2ME	17067173, 17068319, 17078312	7249
1981-78	4.9L (Y) 301"	All	R-2	M2MC	PRI 7044343, 17062360 AUX 7045179	7249 7173
1980-78	4.9L (W) 301"	Electra, LeSabre	R-4	M4MC	PRI 17054572, 17060832 AUX 17053083	7090 7088
1990-88	5.0L (Y) 307"	All	R-4	E4ME	PRI 17067211 AUX 17111101	7153 7385
1988-86	5.0L (H) 305"	All (incl. Canada, Export)	R-4	M4ME	PRI 17078312 AUX 17110132	7249 7313
1987-84	5.0L (Y) 307"	All	R-4	E4MC	PRI 17067211 AUX 17110114, 17110607	7153 7313
1986-84	5.0L (Y) 307"	All (incl. Canada, Export)	R-4	M4MC	PRI 17067211 AUX 17110085	7153 7394
1983-82	5.0L (Y) 307"	All	R-4	E4MC	PRI 17070063 AUX 17068834	7153 7286
1983-81	5.0L (Y) 307"	All	R-4	E4MC	PRI 17067211 AUX 17067217	7153 7395
1981	5.0L (H) 305"	All (incl. Canada, Export)	R-4	M4ME	PRI 17067173 AUX 17067217	7249 7395
1981	5.0L (Y) 307"	All (incl. CA, Hi-Alt)	R-4	M4MC	PRI 7044435 AUX 7044433, 17056548	7153 7358
1980	5.0L (H) 305"	All (incl. CA, Hi-Alt)	R-4	M4ME	PRI 17050759 AUX 17064797	7090 7173
1980-78	5.0L (H) 305"	All (exc. CA, Hi-Alt)	R-4	M4MC	PRI 17051261 AUX 17050742	7090 7086
1979	5.0L (G) 305"	All	R-2	M2ME	17056010	7249
1979-78	5.0L (H) 305"	(All/T)	R-4	M4ME	PRI 17050759 AUX 7044027	7090 7122
1978-77	5.0L (U) 305"	All	R-2	2GC	7044056	7037
1977	5.0L (Y) 301"	All	R-2	M2MC	PRI 7044343 AUX 17053083	7249 7088
1981-77	5.7L (L,R) 350"	All (incl. CA, Hi-Alt)	R-4	M4MC	PRI 7044435 AUX 7044433, 17056548	7153 7358
1980	5.7L (R) 350"	All (incl. CA, Hi-Alt)	R-4	M4ME	PRI 17050759 AUX 17064797	7090 7173
1980-75	5.7L (J,L,R) 350"	All (exc. CA, Hi-Alt)	R-4	M4MC	PRI 17051261 AUX 17050742	7090 7086
1979-77	5.7L (J,L,R) 350"	(All/T)	R-4	M4ME	PRI 17050759 AUX 7044027	7090 7122
1977-75	5.7L (H) 350"	All	R-2	2GC	PRI 7043585 AUX 7043626	7079 7084
1974-71	5.7L (J,K) 350"	All	R-4	4MV	PRI 7038237, 7038727, 17050728 AUX 7040328, 7040371	7017 7033

CHOKEPULL-OFFS

YEAR	ENGINE	MODEL	MFG	TYPE	OE#	PART#
BUICK 8 cyl (Contd)						
1974-70	5.7L (G,H) 350"	All	R-2	2GV	PRI 7027661, 7037911, 7038818	7028
					AUX 7029054, 7038825, 7040374, 7048893	7032
1971	5.7L 350"	All	R-4	4MV	7038732	7004
1969-68	5.7L 350"	All	R-2	2GV	7027652	7028
1969-67	5.7L 350"	All	R-4	4MV	7038237	7017
1979-77	6.6L (K) 403"	All (incl. CA, Hi-Alt)	R-4	M4MC	PRI 7044435	7153
					AUX 7044433, 17056548	7358
1978	6.6L (Z) 400"	Electra, LeSabre	R-4	M4MC	PRI 17054572, 17060832	7090
					AUX 17053083	7088
1975	6.6L (S) 400"	All	R-4	M4MC	PRI 17051321, 17053740	7090
					AUX 7043497	7088
1969-67	6.6L 400"	All	R-4	4MV	7038237	7017
1969-67	7.0L 430"	All	R-4	4MV	7038237	7017
1976-75	7.5L (T) 455"	All (exc. CA, Hi-Alt)	R-4	M4MC	PRI 17051261	7090
					AUX 17050742	7086
1974-71	7.5L (T,U,V,W) 455"	All	R-4	4MV	PRI 7038237, 7038727, 17050728	7017
					AUX 7040328, 7040371	7033

CADILLAC

4 cyl.

1982	1.8L (G) 112"	Cimarron	R-2	2SE	PRI 17068050, 17068547	7252
					AUX 17068548	7287
1984	2.0L (B) 121"	Cimarron (incl. Canada)	R-2	2SE	PRI 17110331	7307
					AUX 17079965	7306
1983	2.0L (B) 121"	Cimarron	R-2	2SE	PRI 17068050, 17068547	7252
					AUX 17068548	7287

6 cyl.

1982-81	4.1L (4) 252"	All	R-4	M4ME	PRI 17067211	7153
					AUX 17072541	7395
1982-81	4.1L (4) 252"	All	R-4	M4ME	PRI 17067438, 17070050	7090
					AUX 17067440, 17068927, 17068931, 17072541	7395
1980	4.1L (4) 252"	All	R-4	M4ME	PRI 17050759	7090
					AUX 17050742	7086

CHOKEPULL-OFFS

YEAR	ENGINE	MODEL	MFG	TYPE	OE#	PART#
CADILLAC (Contd)						
8 cyl.						
1990-86	5.0L (Y) 307"	All	R-4	E4ME	PRI 17067211 AUX 17111101	7153 7385
1980	6.0L (6) 368"	All (exc. CA, Comm, Hi-Alt)	R-4	M4ME	PRI 17050759 AUX 7044051, 7045054, 17056583	7090 7178
1979-77	7.0L (S) 425"	All (exc. CA, Comm, Hi-Alt)	R-4	M4ME	PRI 17050759 AUX 7044051, 7045054, 17056583	7090 7178
1971-67	7.0L 429"	All	R-4	4MV	7033871, 7038237, 7043999	7017
1974-72	7.7L (R) 472"	All	R-4	4MV	7030524, 7030775	7058
1971-67	7.7L 472"	All	R-4	4MV	7033871, 7038237, 7043999	7017
1970	7.7L 472"	All	R-4	4MV	7027065	7029
1980-75	8.2L (S) 500"	All (exc. CA, Comm, Hi-Alt)	R-4	M4ME	PRI 17050759 AUX 7044051, 7045054, 17056583	7090 7178
1974-72	8.2L (S) 500"	All	R-4	4MV	7030524, 7030775	7058
1971-67	8.2L (4) 500"	All	R-4	4MV	7033871, 7038237, 7043999	7017
1970	8.2L (4) 500"	All	R-4	4MV	7027065	7029

CHEVROLET

4 cyl.						
1978-76	1.4L (I) 85"	All	R-1	1ME	7045561, 17051663	7397
1987-82	1.6L (C,4) 98"	(All/T, exc. Canada)	H-2	6510	14050669, 14071857, 14082791, 14082792	7349
1986-79	1.6L (C,4) 98"	All (incl. CA, Canada, Export)	HW-2	5210	14009797, 14009798	7077
1978-76	1.6L (E) 98"	All	R-1	1ME	7045561, 17051663	7397
1982	1.8L (G) 112"	Cavalier (incl. Canada)	R-2	2SE	PRI 17068547, 17068050 AUX 17068548	7252 7287
1982	1.8L (G) 112"	All (incl. Canada)	R-2	2SE	PRI 17078138 AUX 17068548	7297 7287
1984	2.0L (B) 121"	(All/T, incl. Canada)	R-2	2SE	PRI 17079980, 17110331 AUX 17079965	7307 7306

CHOKEPULL-OFFS

YEAR	ENGINE	MODEL	MFG	TYPE	OE#	PART#
CHEVROLET 4 cyl (Contd)						
1983-82	2.0L (B) 121"	All	R-2	2SE	PRI 17068547, 17068050 AUX 17068548	7252 7287
1979-74	2.3L (B) 140"	All	HW-2	5200, 5210, 6510	335124, 345644, 374558, 464089, 10005732	7115
1976-73	2.3L (A) 140"	Monza, Vega	R-1	MV,1MV	7040139, 7043098, 17050210	7397
1972	2.3L (B) 140"	All	R-2	2GV	7045971	7033
1972-70	2.3L (B) 140"	All	R-1	MV	7034017	7002
1971	2.3L (B) 140"	All	R-2	2GV	7036768	7028
1981	2.5L (5) 151"	All (w/A/C, incl. Canada, Export)	R-2	2SE	17068105, 17079239	7304
1981	2.5L (5) 151"	All (incl. Canada, Export)	R-2	2SE	17068102	7303
1981-79	2.5L (V,1,5) 151"	Citation, Monza (incl. CA)	R-2	2SE,E2SE	17058485, 17062293, 17064563, 17070012	7168
1979-78	2.5L (V,1,5) 151"	All	HW-2	5200, 5210, 6510	335124, 345644, 374558, 464089, 10005732	7115
1970	2.5L 153"	All	R-1	MV	7034017	7002
6 cyl.						
1986-84	2.8L (X,Z) 173"	All	R-2	2SE	PRI 17079994 AUX 17079996	7308 7224
1986-84	2.8L (X,Z) 173"	All (w/o A/C, incl. Canada, Export)	R-2	2SE	PRI 17110176, 17110211 AUX 17079996	7225 7224
1985-84	2.8L (X,Z) 173"	All (w/A/C, incl. Canada, Export)	R-2	2SE	PRI 17110173 AUX 17079996	7351 7224
1983-81	2.8L (X,Z) 173"	Camaro (exc. A/C)	R-2	2SE	PRI 17078169, 17079258 AUX 17067585	7296 7291
1983-81	2.8L (X,Z) 173"	Camaro (w/A/T, A/C, incl. Canada, Export)	R-2	2SE	PRI 17078150, 17079222, 17079259 AUX 17067585, 17079613	7297 7291
1980	2.8L (7) 173"	All (exc. A/T, w/o A/C)	R-2	2SE	PRI 17062342 AUX 17062339	7223 7224
1980	2.8L (7) 173"	All (incl. A/T, w/o A/C)	R-2	2SE	PRI 17062344 AUX 17062339	7225 7224
1979	3.2L (C) 196"	All (incl. CA)	R-2	M2ME	PRI 17060808, 17064917 AUX 17060825, 17062251	7249 7169
1978	3.2L (C) 196"	All	R-2	M2ME	PRI 7043585 AUX 7049893	7079 7084

CHOKEPULL-OFFS

YEAR	ENGINE	MODEL	MFG	TYPE	OE#	PART#
CHEVROLET 6 cyl (Contd)						
1967-63	3.2L 194"	All (exc. A.I.R.)	R-1	BV	7025091	7008
1979-78	3.3L (M) 200"	All	R-2	M2ME	17056010	7249
1987-81	3.8L (A) 231"	All (incl. Canada, Export)	R-2	E2ME	PRI 17067466, 17068345 AUX 17068802	7249 7400
1984-80	3.8L (K,9) 229"	All	R-2	M2ME	17063485, 17067497, 17068319, 17070054	7249
1981	3.8L (A) 231"	All	R-2	E2ME	PRI 17067466 AUX 17068834	7249 7286
1981-80	3.8L (3) 231"	All (incl. Turbo)	R-4	M4ME	PRI 17051261 AUX 17070125	7090 7086
1981-79	3.8L (A) 231"	(All/T)	R-2	M2ME	PRI 17060808, 17064917 AUX 17060825, 17062251	7249 7169
1971-68	3.8L 230"	All	R-1	MV	7034017	7002
1967-63	3.8L 230"	All (exc. A.I.R.)	R-1	BV	7025091	7008
1979-77	4.1L (D) 250"	All (incl. CA, Canada)	R-1	1ME	7045046, 17060446, 17060447	7065
1979-77	4.1L (D) 250"	All (exc. A/T, CA)	R-1	1ME	7045064	7397
1976-75	4.1L (D) 250"	All (w/Integrated Head)	R-1	1MV	PRI 17052250 AUX 7049893	7065 7082
1976-73	4.1L (D) 250"	All (w/o Integrated Head)	R-1	1MV	PRI 7030918 AUX 7043127	7396 7082
1972	4.1L (D) 250"	All	R-1	MV	7030713	7396
1971-68	4.1L (D) 250"	All	R-1	MV	7034017	7002
8 cyl.						
1978-71	4.3L (G) 262"	All	R-2	2GC	7040238, 7042715, 7044056, 7046006, 17052732	7037
1988-80	4.4L (J) 267"	All (incl. Canada, Export)	R-2	E2ME, M2MC	PRI 17063485, 17064477, 17067173, 17067497, 17067800, 17068319, 17070055, 17078312, 17078321 AUX 17110132	7249 7313
1980-79	4.4L (J) 267"	All	R-2	M2ME	17056010	7249
1979	4.4L (J) 267"	All (w/A/C)	R-2	M2ME	PRI 7044343 AUX 7045179	7249 7173

CHOKEPULL-OFFS

YEAR	ENGINE	MODEL	MFG	TYPE	OE#	PART#
CHEVROLET 8 cyl (Contd)						
1967-64	4.6L 283"	All	R-2	2GV	7024094, 7027626, 7027649, 7027662, 7036096, 7036768, 7036769, 7040849	7028
1981-80	4.9L (T) 301"	Camaro (Turbo)	R-4	M4ME	PRI 17070122 AUX 17064919	7090 7358
1990-86	5.0L (Y) 307"	All (incl. Canada, Export)	R-4	E4MC	PRI 17067211 AUX	7153 7385
1988-80	5.0L (G,H) 305"	All (incl. Canada, Export)	R-4	M4MC	PRI 17063485, 17064477, 17067173, 17067497, 17067800, 17068319, 17070055, 17078312, 17078321 AUX 17110132	7249 7313
1980	5.0L (H) 305"	All (incl. CA)	R-4	M4ME	PRI 17050759 AUX 17064797	7090 7173
1980-79	5.0L (H) 305"	All (exc. HP, Corvette, incl. Canada)	R-4	M4MC, M4ME	PRI 7043013, 7044020, 17050759 AUX 7044027	7090 7122
1978-77	5.0L (Q,U) 305"	All	R-2	2GC,2GE, 2GV	7040238, 7042715, 7044056, 7046006, 17052732	7037
1973-71	5.0L (F) 307"	All	R-2	2GC,2GE, 2GV	7040238, 7042715, 7044056, 7046006, 17052732	7037
1970-68	5.0L 307"	All	R-2	2GV	7024094, 7027626, 7027649, 7027662, 7036096, 7036768, 7036769, 7040849	7028
1969-66	5.4L 327"	All	R-2	2GV	7024094, 7027626, 7027649, 7027662, 7036096, 7036768, 7036769, 7040849	7028

CHOKEPULL-OFFS

YEAR	ENGINE	MODEL	MFG	TYPE	OE#	PART#
CHEVROLET 8 cyl (Contd)						
1968-67	5.4L 327"	All (incl. Corvette)	R-4	4MV	7033989, 7034909, 7038960	7017
1988-80	5.7L (L,6,8) 350"	All (incl. Canada, Export)	R-4	M4MC	PRI 17063485, 17064477, 17067173, 17067497, 17067800, 17068319, 17070055, 17078312, 17078321 AUX 17110132	7249 7313
1980-76	5.7L (G,H,L,V,8) 350"	All (exc. HP, Corvette, incl. Canada)	R-4	M4MC, M4ME	PRI 7043013, 7044020, 17050759 AUX 7044027	7090 7122
1979-75	5.7L (L) 350"	All (incl. HP)	R-4	M4ME	17053201	7090
1978-71	5.7L (H,V) 350"	All	R-2	2GC,2GE, 2GV	7040238, 7042715, 7044056, 7046006, 17052732	7037
1975	5.7L (J,L,T) 350"	All	R-4	M4MC	PRI 17050759 AUX 17050756	7090 7095
1974-72	5.7L (J,K) 350"	All (exc. HP)	R-4	4MV	7040384, 7040386, 7044903, 7048200, 7048206	7067
1971-70	5.7L 350"	All	R-4	4MV	7043676	7042
1970-69	5.7L 350"	All	R-2	2GV	7024094, 7027626, 7027649, 7027662, 7036096, 7036768, 7036769, 7040849	7028
1969-68	5.7L 350"	All (incl. Corvette)	R-4	4MV	7033989, 7034909, 7038960	7017
1969-67	6.5L 396"	All (incl. Corvette)	R-4	4MV	7033989, 7034909, 7038960	7017
1976	6.6L (U) 400"	All (exc. HP, Corvette, incl. Canada)	R-4	M4MC, M4ME	PRI 7043013, 7044020, 17050759 AUX 7044027	7090 7122
1975	6.6L (U) 400"	All	R-4	M4MC	PRI 17050759 AUX 17050756	7090 7095

CHOKEPULL-OFFS

YEAR	ENGINE	MODEL	MFG	TYPE	OE#	PART#
CHEVROLET 8 cyl (Contd)						
1974-72	6.6L (R,U) 400"	All (exc. HP)	R-4	4MV	7040384, 704386, 7044903, 7048200, 7048206	7067
1974-71	6.6L (R) 400"	All	R-2	2GC,2GE, 2GV	7040238, 7042715, 7044056, 7046006, 17052732	7037
1972	6.6L (S) 402"	All (exc. HP)	R-4	4MV	7040384, 7040386, 7044903, 7048200, 7048206	7067
1971-70	6.6L 400"	All	R-4	4MV	7043676	7042
1971-70	6.6L 402"	All	R-4	4MV	7043676	7042
1970	6.6L 400"	All	R-2	2GV	7024094, 7027626, 7027649, 7027662, 7036096, 7036768, 7036769, 7040849	7028
1969-67	7.0L 427"	All (incl. Corvette)	R-4	4MV	7033989, 7034909, 7038960	7017
1976	7.4L (S) 454"	All (exc. HP, Corvette, incl. Canada)	R-4	M4MC, M4ME	PRI 7043013, 7044020, 17050759 AUX 7044027	7090 7122
1975	7.4L (Y) 454"	All	R-4	M4MC	17041534	7090
1974-72	7.4L (V,W,X,Y,Z) 454"	All (exc. HP)	R-4	4MV	7040384, 7040386, 7044903, 7048200, 7048206	7067
1971-70	7.4L 454"	All	R-4	4MV	7043676	7042

CHEVROLET TRUCK

4 cyl.

1984	2.0L (Y) 121"	All (incl. Hi-Alt)	R-2	2SE	PRI 17079964, 17079980 AUX 17079965	7307 7306
1983	2.0L (Y) 121"	All	R-2	2SE	PRI 17079108 AUX 17068548	7252 7287

6 cyl.

1985-84	2.8L (B) 173"	All (w/A/C, incl. CA)	R-2	E2SE	PRI 17110058, 17110263 AUX 17079996	7351 7224
---------	---------------	-----------------------	-----	------	---	--------------

CHOKEPULL-OFFS

YEAR	ENGINE	MODEL	MFG	TYPE	OE#	PART#
CHEVROLET TRUCK 6 cyl (Contd)						
1985-84	2.8L (B) 173"	C, G, K-10 (incl. CA)	R-2	2SE	PRI 17110270, 17110281	7225
					AUX 17079940, 17079996	7224
1983-82	2.8L (B) 173"	All	R-2	2SE	17078531	7387
1983-82	2.8L (B) 173"	All	R-2	2SE	PRI 17078013, 17078531	7296
					AUX 17067585	7291
1983-82	2.8L (B) 173"	All	R-2	2SE	PRI 17078683	7297
					AUX 17067585	7291
1979	3.3L (M) 200"	All	R-2	M2ME	17056010	7249
1984	4.1L (D) 250"	C, G, K-10	R-2	2SE	PRI 17079939	7225
					AUX 17079946	7185
1984	4.1L (D) 250"	C, G, K-10 (incl. CA)	R-2	2SE	PRI 17110270, 17110281	7225
					AUX 17079940, 17079996	7224
1983-81	4.1L (D) 250"	All (incl. CA)	R-2	2SE	PRI 17068674, 17078059	7296
					AUX 17068053	7289
1980-79	4.1L (D) 250"	All	R-2	2SE	PRI 17062346, 17064833	7225
					AUX 17062348	7185
1978-77	4.1L (D) 250"	All (incl. CA, Heavy Duty)	R-1	1ME	17060446, 17060447, 17067959	7065
1976-75	4.1L (D,Q) 250"	All	R-1	MV	PRI 17052250	7065
					AUX 7043127	7082
1976-72	4.1L (D,Q) 250"	All	R-1	MV	7030713, 7030918, 17050374	7396
1971-69	4.1L 250"	All	R-1	MV	7034017	7002
1986-85	4.3L (N) 262"	All (incl. CA, Hi-Alt)	R-4	M4MC, M4ME	PRI 17067215	7090
					AUX 17110132	7313
8 cyl.						
1981-79	4.4L (J) 267"	All	R-2	M2MC, M2ME	17056010, 17067497, 17070054	7249
1986-77	4.8L (T) 292"	All (incl. CA, Heavy Duty)	R-1	1ME	17060446, 17060447, 17067959	7065
1981-80	4.8L (T) 292"	All	R-1	1ME	17060447	7065
1976-72	4.8L (T) 292"	All	R-1	MV	7030713, 7030918, 17050374	7396
1971-69	4.8L (T) 292"	All	R-1	MV	7034017	7002
1988-85	5.0L (F,G,H) 305"	All	R-4	M4ME	17110961	7293
1987	5.0L (G,H) 305"	All	R-4	M4ME	17067800	7249
1986-81	5.0L (F,H) 305"	C, G, K-10	R-4	M4ME	17067139, 17079871	7293

CHOKEPULL-OFFS

YEAR	ENGINE	MODEL	MFG	TYPE	OE#	PART#
CHEVROLET TRUCK 8 cyl (Contd)						
1985-79	5.0L (F,H) 305"	All (incl. CA)	R-4	M4MC, M4ME	7041534, 17050759, 17051155, 17078735	7090
1984	5.0L (F,H) 305"	C-10, 20, G-20 (incl. CA)	R-4	M4ME	PRI 17067215 AUX 17110132	7090 7313
1984	5.0L (F,H) 305"	All (w/A/T, exc. A/C)	R-4	M4ME	PRI 17079980 AUX 17079871	7307 7293
1983-81	5.0L (F,H) 305"	C, G, K-10, 20	R-4	M4MC, M4ME	PRI 17070389 AUX 17068834	7090 7286
1981-79	5.0L (G,U) 305"	All	R-2	M2MC, M2ME	17056010, 17067497, 17070054	7249
1978-76	5.0L (Q,U) 305"	All	R-2	2GC,2GV	7042715, 7044056, 7048238, 17052732	7037
1974-71	5.0L (X) 307"	All	R-2	2GC,2GV	7042715, 7044056, 7048238, 17052732	7037
1971-69	5.0L 307"	All	R-2	2GV	7036768, 7040849	7028
1969-68	5.4L 327"	All	R-4	4MV	7034909, 7038239	7017
1988-85	5.7L (K,L,M) 350"	All (w/A/T)	R-4	M4ME	PRI 17078312 AUX 17110132	7249 7313
1988-85	5.7L (K,L,M) 350"	All (incl. CA, Export)	R-4	M4ME	PRI 17067800 AUX 17078736	7249 7323
1988-85	5.7L (K,L,M) 350"	All	R-4	M4ME	17110961	7293
1986-84	5.7L (E,L,M) 350"	All	R-4	M4ME	PRI 17067215 AUX 17110651	7090 7336
1986-81	5.7L (E,L,M) 350"	C, G, K-10	R-4	M4ME	17067139, 17079871	7293
1985-82	5.7L (E,L,M) 350"	All (w/A/T)	R-4	M4ME	PRI 17079409 AUX 17078723	7090 7188
1985-75	5.7L (E,L,M,Y) 350"	All (incl. CA)	R-4	M4MC, M4ME	7041534, 17050759, 17051155, 17078735	7090
1984	5.7L (E,L,M) 350"	All (incl. CA)	R-4	M4ME	PRI 17067215 AUX 17110132	7090 7313
1984-80	5.7L (E,L,M) 350"	All (incl. CA)	R-4	M4ME	PRI 7041534 AUX 17059313	7090 7323
1983-81	5.7L (L,M) 350"	C, G, K-10, 20	R-4	M4MC, M4ME	PRI 17070389 AUX 17068834	7090 7286
1980-79	5.7L (L,M) 350"	All (incl. LD)	R-4	M4MC	17062370, 17062371	7188
1978-77	5.7L (L) 350"	All (incl. HD)	R-4	M4MC	7045154	7067

CHOKEPULL-OFFS

YEAR	ENGINE	MODEL	MFG	TYPE	OE#	PART#
CHEVROLET TRUCK 8 cyl (Contd)						
1978-72	5.7L (L,Y) 350"	G-10, 20, 30, Suburban (incl. CA)	R-4	4MV, M4MC	7040181, 7040384, 7040385, 7044903, 7048200, 7048206	7067
1976-75	5.7L (L,Y) 350"	All	R-4	M4MC	PRI 17050759 AUX 17050756	7090 7095
1976-75	5.7L (L,Y) 350"	All	R-4	M4MC	PRI 17050759 AUX 17050756	7090 7095
1976-71	5.7L (N,V) 350"	All	R-2	2GC,2GV	7042715, 7044056, 7048238, 17052732	7037
1971-70	5.7L 350"	All	R-4	4MV	7043676	7042
1971-69	5.7L 350"	All	R-2	2GV	7036768, 7040849	7028
1969-68	5.7L 350"	All	R-4	4MV	7034909, 7038239	7017
1971-70	6.5L 396"	All	R-4	4MV	7043676	7042
1969-68	6.5L 396"	All	R-4	4MV	7034909, 7038239	7017
1980	6.6L (R,X) 400"	All (incl. CA)	R-4	M4ME	PRI 7041534 AUX 17059313	7090 7323
1980-79	6.6L (R,X) 400"	All (incl. LD)	R-4	M4MC	17062370, 17062371	7188
1980-75	6.6L (M,R,U,X) 400"	All (incl. CA)	R-4	M4MC, M4ME	7041534, 17050759, 17051155, 17078735	7090
1978	6.6L (R) 400"	All (incl. HD)	R-4	M4MC	7045154	7067
1978-77	6.6L (K) 403"	Motor Home	R-4	M4MC	7044435	7153
1978-73	6.6L (R,M,U) 400"	G-10, 20, 30, Suburban (incl. CA)	R-4	4MV, M4MC	7040181, 7040384, 7040385, 7044903, 7048200, 7048206	7067
1976-75	6.6L (M,U) 400"	All	R-4	M4MC	PRI 17050759 AUX 17050756	7090 7095
1972	6.6L (S,U) 402"	G-10, 20, 30, Suburban (incl. CA)	R-4	4MV, M4MC	7040181, 7040384, 7040385, 7044903, 7048200, 7048206	7067
1989-85	7.4L (W) 454"	All (w/A/T)	R-4	M4ME	PRI 17078312 AUX 17110132	7249 7313
1989-85	7.4L (W) 454"	All (incl. CA, Export)	R-4	M4ME	PRI 17067800 AUX 17078736	7249 7323
1985-75	7.4L (S,W,Y,Z) 454"	All (incl. CA)	R-4	M4MC, M4ME	7041534, 17050759, 17051155, 17078735	7090

CHOKEPULL-OFFS

YEAR	ENGINE	MODEL	MFG	TYPE	OE#	PART#
CHEVROLET TRUCK 8 cyl (Contd)						
1978-73	7.4L (L,S,Y,Z) 454"	G-10, 20, 30, Suburban (incl. CA)	R-4	4MV, M4MC	7040181, 7040384, 7040385, 7044903, 7048200, 7048206	7067
1977-76	7.4L (S,Y) 454"	All	R-4	M4MC	PRI 7043103 AUX 7044027	7090 7122
1976-75	7.4L (S,Y,Z) 454"	All	R-4	M4MC	PRI 17050759 AUX 17050756	7090 7095
1975	7.4L (Z) 454"	All	R-4	M4MC	7041534	7090

CHRYSLER

4 cyl.

1986-82	2.2L (B,C,F) 135"	All	H-2	5220	4131130, 4131210, 4240198, 4267178	7115
---------	-------------------	-----	-----	------	---	------

6 cyl.

1983	3.7L (H,J) 225"	All	H-1	6145	4271950	7324
1982-81	3.7L (E,F) 225"	All	H-1	6145	4267123	7260
1980-79	3.7L (C) 225"	All (w/A/T, incl. CA, Hi-Alt)	H-1	1945	3780672, 3780673, 3879141, 4240064	7072
1979-77	3.7L (D) 225"	All	C-2	BBD	3879841, 3879842	7063

8 cyl.

1989-85	5.2L (P,4) 318"	All (incl. Canada, Export)	H-2	2280	4293895	7189
1984-75	5.2L (G,K,L,P,4) 318"	All (incl. CA)	C-2	BBD	3879841, 3879842, 4186226, 4271956	7063
1982-81	5.2L (M,N) 318"	All (incl. CA)	C-4	TQ	4267133	7255
1982-81	5.2L (M,N) 318"	All (incl. CA)	C-4	TQ	3621209, 3621210, 4049239, 4049240, 4131250, 4186290	7043
1979-78	5.2L (G) 318"	All	H-2	2280	4131088	7189
1980-79	5.9L (J) 360"	All (incl. CA)	C-4	TQ	3621209, 3621210, 4049239, 4049240, 4131250, 4186290	7043
1980-75	5.9L (K) 360"	All (incl. CA)	C-2	BBD	3879841, 3879842, 4186226	7063

CHOKEPULL-OFFS

YEAR	ENGINE	MODEL	MFG	TYPE	OE#	PART#
CHRYSLER 8 cyl (Contd)						
1979-75	5.9L (K) 360"	All	H-2	2210	3879799, 4026224	7098
1972	5.9L (K) 360"	All	H-2	2210	3685732, 3744550	7392
1970	6.2L (L) 383"	All	H-2	2300	3419508	7392
1978-74	6.6L (N) 400"	All (incl. CA)	C-4	TQ	3621209, 3621210, 4049239, 4049240, 4131250, 4186290	7043
1978-72	7.2L (T) 440"	All	C-4	TQ	3621209, 3621210, 4049239, 4049240, 4131250, 4186290	7043
1972-67	7.2L (T,U) 440"	All	H-4	4150, 4160	3619620, 3621261, 3621274	7023

CHRYSLER IMPORTS

1990-87	All	All	MI-SL	2Bbl		7408
1990-87	All	All	MI-SL	2Bbl		7409
1986-80	All	All (use w/P/N 7411)	MI-SL	2Bbl		7410
1986-80	All	All (use w/P/N 7410)	MI-SL	2Bbl		7411
1990-87	All	All	MI-SL	2Bbl	-	7404
1990-87	All	All	MI-SL	2Bbl	-	7405
1990-87	All	All	MI-SL	2Bbl	-	7406
1986-80	All	All	MI-SL	2Bbl	-	7398
1986-80	All	All	MI-SL	2Bbl	-	7399

See pages 188 through 189 for Mikuni-Solex Choke Pull-off illustrations.

DODGE

4 cyl.

1987-78	1.7L (A,B) 105"	Omni	H-2	5220	4131139, 4131130, 4131210, 4240079, 4240198, 4267095, 4267178	7115
1987-81	2.2L (B,C,8) 135"	Omni	H-2	5220	4131130, 4131139, 4131210, 4240079, 4240198, 4267095, 4297178	7115

CHOKEPULL-OFFS

YEAR	ENGINE	MODEL	MFG	TYPE	OE#	PART#
DODGE (Contd)						
6 cyl.						
1970-65	2.7L (A) 170"	All	H-1	1920	2809388, 2809389, 3419508, 3419511, 3419621, 3685730, 3685846	7392
1974	3.2L (B) 198"	All (incl. CA)	H-1	1945	3780672, 3780673, 3879141, 4240064	7072
1973-65	3.2L (B) 198"	All	H-1	1920	2809388, 2809389, 3419508, 3419511, 3419621, 3685730, 3685846	7392
1983	3.7L (H,J) 225"	All	H-1	6145	4271950	7324
1982-77	3.7L (D,G,H) 225"	All	C-2	BBD	3879842	7063
1981	3.7L (E,F) 225"	All (incl. CA)	H-1	6145	4267123	7260
1980-74	3.7L (C) 225"	All (incl. CA)	H-1	1945	3780672, 3780673, 3879141, 4240064	7072
1973-65	3.7L (C) 225"	All	H-1	1920	2809388, 2809389, 3419508, 3419511, 3419621, 3685730, 3685846	7392
8 cyl.						
1969-65	4.5L (D) 273"	All	C-2	BBD	2933103, 3419587, 3780153, 3879841, 3879842, 4186226	7063
1989-85	5.2L (P,4) 318"	All (incl. Canada, Export)	H-2	2280, 6280	4293895	7189
1989-85	5.2L (P,4) 318"	All	R-4	E4ME	4342912	7249
1989-85	5.2L (P,4) 318"	All	R-4	M4ME	4342838	7293
1984-83	5.2L (4) 318"	All (incl. Canada, Export)	C-4	TQ	3621209, 3621210, 4049239, 4049240, 4131250, 4186290	7043

CHOKEPULL-OFFS

YEAR	ENGINE	MODEL	MFG	TYPE	OE#	PART#
DODGE 8 cyl (Contd)						
1984-85	5.2L (G,K,L,P) 318"	All	C-2	BBD	2933103, 3419587, 3780153, 3879841, 3879842, 4186226, 4271956	7063
1981	5.2L (M,N) 318"	All (incl. CA)	C-4	TQ	4267133	7255
1979-78	5.2L (G) 318"	All	H-2	2280	4131088	7189
1973-71	5.6L (H) 340"	All (incl. CA)	C-4	TQ	3621209, 3621210, 4049239, 4049240, 4131250, 4186290	7043
1971	5.6L (H) 340"	All	C-4	AVS	3621209, 3621210	7043
1970	5.6L (J) 340"	All (w/3 Carb, Center Carb)	H-2	2300	3419515, 3419620	7023
1980-74	5.9L (J,L) 360"	All (incl. CA)	C-4	TQ	3621209, 3621210, 4049239, 4049240, 4131250, 4186290	7043
1979-75	5.9L (K) 360"	All	H-2	2245	3879799, 4026224	7098
1974-71	5.9L (K) 360"	All	H-2	2210, 2300	3419508, 3549450, 3683874, 3685732, 3744550	7392
1971-70	6.3L (N) 383"	All	H-2	2210, 2300	3419508, 3549450, 3683874, 3685732, 3744550	7392
1971-67	6.3L (N) 383"	All	H-4	4160	3419515, 3419620, 3621261, 3621274	7023
1964	6.3L 383"	All	C-4	AFB	2448990	7004
1978-71	6.6L (P) 400"	All (incl. CA)	C-4	TQ	3621209, 3621210, 4049239, 4049240, 4131250, 4186290	7043
1976-75	6.6L (M) 400"	All	H-2	2245	3879799, 4026224	7098
1974-70	6.6L (M) 400"	All	H-2	2210, 2300	3419508, 3549450, 3683874, 3685732, 3744550	7392

CHOKEPULL-OFFS

YEAR	ENGINE	MODEL	MFG	TYPE	OE#	PART#
DODGE 8 cyl (Contd)						
1964	6.8L 413"	All	C-4	AFB	2448990	7004
1964	7.0L 426"	All	C-4	AFB	2448990	7004
1978-71	7.2L (T,U) 440"	All (incl. CA)	C-4	TQ	3621209, 3621210, 4049239, 4049240, 4131250, 4186290	7043
1972-67	7.2L (T,U) 440"	All	H-4	4160	3419515, 3419620, 3621261, 3621274	7023
1971-70	7.2L (V) 440"	All (w/3 Carb, Center Carb)	H-2	2300	3419515, 3419620	7023

DODGE TRUCK

4 cyl.

1986-84	2.2L (C,F,8) 135"	Mini Ram	H-2	5220C	4131210	7115
---------	-------------------	----------	-----	-------	---------	------

6 cyl.

1987-82	3.7L (E,H,N) 225"	All (incl. CA, Canada, Export)	H-1	1945	4271950	7324
1983	3.7L (M) 225"	All (w/M/T)	C-2	BBD	4271955	7063
1983-81	3.7L (E,H) 225"	All	H-1	1945	4267123, 4271915	7260
1981	3.7L (E) 225"	All	H-1	1945	3780672, 3780673	7072
1980-77	3.7L (B) 225"	All	C-2	BBD	3879841, 3879842	7063
1971	3.7L (C) 225"	All	H-1	1920	3685730, 3685731	7392

8 cyl.

1987-78	5.2L (E,P,T) 318"	All	H-2	2280	4131088, 4267091	7189
1985-83	5.2L (T) 318"	All (incl. CA, Hi-Alt)	C-2	BBD	4271955	7235
1985-70	5.2L (E,P,T) 318"	All (incl. Hi-Alt)	C-2	BBD	3780153, 3780154, 3879841, 3879842, 4271955	7063
1984-81	5.2L (R,T,U) 318"	All	C-4	TQ	3621209, 3621210, 4049239, 4049240, 4049275, 4131250	7043
1983-81	5.2L (R,U) 318"	All	C-4	TQ	4267133	7255
1983-81	5.2L (R,U) 318"	All	C-4	TQ	4267137	7263
1987-85	5.9L (W) 360"	All	R-4	M4ME	4342838	7293

CHOKEPULL-OFFS

YEAR	ENGINE	MODEL	MFG	TYPE	OE #	PART #
DODGE TRUCK 8 cyl (Contd)						
1985-81	5.9L (T,U,V,W) 360"	All	C-4	TQ	3621209, 3621210, 4049239, 4049240, 4049275, 4131250	7043
1982-75	5.9L (F,K,S) 360"	All	H-2	2210	3879799, 4026224	7098
1981-72	5.9L (F,K,S) 360"	All	H-2	2210	3621272, 3683874, 3685732, 3744549, 3744550, 3949450	7392
1977-75	6.6L (J) 400"	All	H-2	2210	3879799, 4026224	7098
1977-72	6.6L (J) 400"	All	H-2	2210	3621272, 3683874, 3685732, 3744549, 3744550, 3949450	7392
1980-74	7.2L (A,D) 440"	All	C-4	TQ	3621209, 3621210, 4049239, 4049240, 4049275, 4131250	7043

FORD

4 cyl.

1985-84	1.6L (2,4) 98"	Escort	HW-2	740	E4PZ-9J549A, E4PZ-9J549C	7366
1984-83	1.6L (5) 98"	Escort, EXP	F-2	EFI	D9AZ-9J549A	7228
1983-81	1.6L (2,4) 98"	Escort, EXP	HW-2	740	E1PZ-9J549A, E1PZ-9J549D, E2PZ-9J549A, E3PZ-9J549D, E3PZ-9J549E	7235
1986	1.9L (9) 116"	Escort	HW-2	740	E4PZ-9J549A, E4PZ-9J549B, E4PZ-9J549C	7366
1974-71	2.0L (X) 122"	Pinto (incl. CA)	HW-2	5200	D1FZ-9J549A, D2RY-9J549A, D3FZ-9J549A, D9PZ-9J549A, E0PZ-9J549A, E0PZ-9J549C, E0PZ-9J549E	7077
1985-84	2.3L (A,R) 140"	LTD, Tempo (All/T, incl. Canada)	H-1	6149	E4PZ-9S514A, E4PZ-9S514B, E4PZ-9S514C, E4PZ-9S514D	7246

CHOKEPULL-OFFS

YEAR	ENGINE	MODEL	MFG	TYPE	OE#	PART#
FORD 4 cyl (Contd)						
1985-83	2.3L (A,R) 140"	Mustang	C-1	YFA	E3PZ-9J549B, E3PZ-9J549C, E3PZ-9J549F, E5PZ-9J549B	7369
1982-74	2.3L (A,W,Y) 140"	All (incl. CA, Turbo)	HW-2	5200	D1FZ-9J549A, D2RY-9J549A, D3FZ-9J549A, D9PZ-9J549A, E0PZ-9J549A, E0PZ-9J549C, E0PZ-9J549E	7077
6 cyl.						
1979	2.8L (Z) 171"	All (incl. CA)	F-2	2700VV, 7200VV	D9AZ-9J549A	7228
1979	2.8L (Z) 171"	All	F-2	2700VV, 7200VV	D9AZ-9J549A	7228
1979-77	2.8L (Z) 171"	All (exc. CA)	F-2	2100, 2150	D7WZ-9S514A, D8AZ-9S514D	7125
1977-75	2.8L (Z) 171"	All	F-2	2100	D5ZZ-9S514A, D8AZ-9S514L	7105
1974	2.8L (Z) 171"	All	HW-2	5200	D2RY-9J549A	7115
1983-81	3.3L (B,X) 200"	All (incl. CA)	H-1	1946	E1PZ-9S514A, E1PZ-9S514B	7246
1981-78	3.3L (B,T) 200"	All (incl. CA, Hi-Alt)	H-1	1946	D8PZ-9S514C, D9PZ-9S514C, E0PZ-9S514A	7230
1980	3.3L (B) 200"	All (incl. CA)	H-1	1946	E0PZ-9S514B	7023
1980-78	3.3L (B,T) 200"	All (incl. CA)	C-1	YF,YFA	D8PZ-9S514A, D9PZ-9S514A, D9PZ-9S514B	7369
1979	3.3L (T) 200"	All (w/A/T, A/C)	H-1	1946	D9PZ-9S514D	7230
1985-82	3.8L (C,3) 232"	All (exc. CA, incl. Canada)	F-2	2150	E2SZ-9S514D	7105
1985-82	3.8L (C,3) 232"	All (incl. CA, Canada)	F-2	2700VV, 7200VV	D9AZ-9J549A	7228
1983-82	3.8L (3) 232"	Granada, Thunderbird (incl. CA)	H-1	1946	E1PZ-9S514A, E1PZ-9S514B	7246
1980-78	4.1L (C,L) 250"	All (incl. CA)	C-1	YF,YFA	D8PZ-9S514A, D9PZ-9S514A, D9PZ-9S514B	7369
8 cyl.						
1982-80	4.2L (D) 255"	All (incl. CA)	F-2	2700VV	D9AZ-9J549A	7228

CHOKEPULL-OFFS

YEAR	ENGINE	MODEL	MFG	TYPE	OE#	PART#
FORD 8 cyl (Contd)						
1982-80	4.2L (D) 255"	All (incl. CA, Canada)	F-2	2100, 2150	D5AZ-9S514A, D5AZ-9S514F, D5TZ9S514C, D5ZZ-9S514B, D7AZ-9S514E, D8AZ-9S514G, D8AZ-9S514P, D8WZ-9S514A, D8ZZ-9S514C, E1AZ-9S514C, E1SZ-9S514B, E2SE-9S514D, E2SZ-9S514A, E2SZ-9S514D, E2TZ-9S514B	7105
1982-80	4.2L (D) 255"	All (incl. CA)	F-2	2700VV, 7200VV	D9AZ-9J549A	7228
1981-80	4.2L (D) 255"	All (incl. CA, Canada)	F-2	2150	D8AZ-9S514C, D8AZ-9S514D, E1SZ-9S514A, E1TZ-9S514B	7125
1985	5.0L (M) 302"	All (incl. HO)	H-4	4180C	E4PZ-9J549A	7366
1985	5.0L (M) 302"	All (incl. HO)	H-4	4180C	E4PZ-9J549D	7371
1985-81	5.0L (F) 302"	All	F-2	CFI	D9AZ-9J549A	7228
1982-79	5.0L (F) 302"	All (incl. CA)	F-2	2700VV, 7200VV	D9AZ-9J549A	7228
1982-75	5.0L (F) 302"	All (incl. CA, Canada)	F-2	2100, 2150	D5AZ-9S514A, D5AZ-9S514F, D5TZ9S514C, D5ZZ-9S514B, D7AZ-9S514E, D8AZ-9S514G, D8AZ-9S514P, D8WZ-9S514A, D8ZZ-9S514C, E1AZ-9S514C, E1SZ-9S514B, E2SE-9S514D, E2SZ-9S514A, E2SZ-9S514D, E2TZ-9S514B	7105
1981-77	5.0L (F) 302"	All (incl. Canada)	F-2	2150	D8AZ-9S514C, D8AZ-9S514D, E1SZ-9S514A, E1TZ-9S514B	7125
1979	5.0L (F) 302"	All (w/A/T, exc. CA)	F-2	2150	D9AZ-9S514N	7125
1977	5.0L (F) 302"	All (exc. CA, Hi-Alt)	F-2	2100	D7WZ-9S514A	7125
1974-70	5.0L (D,F) 302"	All	F-2	2100	D0AZ-9S514C, D0AZ-9J549C	7000
1990-79	5.8L (G,H,Q) 351"	All (incl. CA)	F-2	2700VV, 7200VV	D9AZ-9J549A	7228

CHOKEPULL-OFFS

YEAR	ENGINE	MODEL	MFG	TYPE	OE#	PART#
FORD 8 cyl (Contd)						
1983-75	5.8L (G,H,Q) 351"	All (incl. M, W, Canada)	F-2	2100, 2150	D5AZ-9S514A, D5AZ-9S514F, D5TZ9S514C, D5ZZ-9S514B, D7AZ-9S514E, D8AZ-9S514G, D8AZ-9S514P, D8WZ-9S514A, D8ZZ-9S514C, E1AZ-9S514C, E1SZ-9S514B, E2SE-9S514D, E2SZ-9S514A, E2SZ-9S514D, E2TZ-9S514B	7105
1981-77	5.8L (G,H,Q) 351"	All (incl. CA, Canada)	F-2	2150	D8AZ-9S514C, D8AZ-9S514D, E1SZ-9S514A, E1TZ-9S514B	7125
1977	5.8L (H,Q) 351"	All (exc. CA, Hi-Alt)	F-2	2100	D7WZ-9S514A	7125
1974-70	5.8L (H) 351"	All	F-2	2100	D0AZ-9S514C, D0AZ-9J549C	7000
1971-70	6.4L (Y) 390"	All	F-2	2100	D0AZ-9S514C, D0AZ-9J549C	7000
1978-77	6.6L (S) 400"	All (incl. CA, Canada)	F-2	2150	D8AZ-9S514C, D8AZ-9S514D, E1SZ-9S514A, E1TZ-9S514B	7125
1978-75	6.6L (S) 400"	All (incl. Canada)	F-2	2100, 2150	D5AZ-9S514A, D5AZ-9S514F, D5TZ9S514C, D5ZZ-9S514B, D7AZ-9S514E, D8AZ-9S514G, D8AZ-9S514P, D8WZ-9S514A, D8ZZ-9S514C, E1AZ-9S514C, E1SZ-9S514B, E2SE-9S514D, E2SZ-9S514A, E2SZ-9S514D, E2TZ-9S514B	7105
1977	6.6L (S) 400"	All (exc. CA, Hi-Alt)	F-2	2100	D7WZ-9S514A	7125
1974-71	6.6L (S) 400"	All	F-2	2100	D0AZ-9S514C, D0AZ-9J549C	7000
1972-70	7.0L (K) 429"	All	F-2	2100	D0AZ-9S514C, D0AZ-9J549C	7000
1971-70	7.0L (C,J,N,P,Z) 429"	All (Cobra Jet Police)	R-4	4MV	D00Z-959SFA, 7038239	7017
1971-70	7.0L (C,J,N,P,Z) 429"	All (Cobra Jet Police)	R-4	4MV	D00Z-959SFA, 7038239	7017
1978-75	7.5L (A,C) 460"	All	F-4	4300, 4350	D5VZ-9A977A, D7VZ-9A977B, D7VZ-9S514B	7165

CHOKEPULL-OFFS

YEAR	ENGINE	MODEL	MFG	TYPE	OE#	PART#
FORD 8 cyl (Contd)						
1974	7.5L (A,C) 460"	All	C-4	TQ	D4AZ-9J549A	7043

FORD TRUCK

4 cyl.

1986-83	2.0L (C) 122"	Ranger	C-1	YFA	E3PZ-9J549A	7369
1985-83	2.3L (A) 140"	Ranger	C-1	YFA	E3PZ-9J549A	7369

6 cyl.

1986-82	2.8L (S) 170"	Bronco II, Ranger	F-2	2150	E2TZ-9S514B	7105
1983-82	3.8L (3) 232"	F-Series Pickup	F-2	2150	E2TZ-9S514B	7105
1986-81	4.9L (E,Y) 300"	All	C-1	YFA	D9PZ-9S514A, E1PZ-9J549B	7369

8 cyl.

1985-75	5.0L (F,G) 302"	All (incl. CA)	F-2	2150	D6DZ-9S514A, D8AZ-9S514F, D8AZ-9S514G, D8AZ-9S514H, D8AZ-9S514J, D8UZ-9S514A, D8WZ-9S514A, D9TZ-9S514A, E1TZ-9S514A, E1TZ-9S514F, E1TZ-9S514G, E2TE-9S514B, E3TZ-9S514A, E4TZ-9S514A	7105
1984-77	5.0L (F,G) 302"	All (incl. CA)	F-2	2150	D7WZ-9S514A, D8AZ-9S514C, D8AZ-9S514D, E0AZ-9S514D, E1TZ-9S514B	7125
1983-81	5.0L (F) 302"	All	F-2	2700VV	D9AZ-9J549A	7228
1977-75	5.0L (G) 302"	Bronco (incl. CA)	F-2	2100	D5AZ-9S514A, D5AZ-9S514C, D5AZ-9S514D, D5TZ-9S514B, D5TZ-9S514C, D5UZ-9S514A	7105
1975-70	5.0L (G) 302"	All	F-2	2100	D0AZ-9J549C	7000
1986-85	5.8L (H) 351"	All	H-4	4180C	E4PZ-9J549D	7371

CHOKEPULL-OFFS

YEAR	ENGINE	MODEL	MFG	TYPE	OE#	PART#
FORD TRUCK 8 cyl (Contd)						
1985-75	5.8L (G,H,M) 351"	All (incl. CA)	F-2	2150	D6DZ-9S514A, D8AZ-9S514F, D8AZ-9S514G, D8AZ-9S514H, D8AZ-9S514J, D8UZ-9S514A, D8WZ-9S514A, D9TZ-9S514A, E1TZ-9S514A, E1TZ-9S514F, E1TZ-9S514G, E2TE-9S514B, E3TZ-9S514A, E4TZ-9S514A	7105
1984-77	5.8L (G,H,M) 351"	All	F-2	2150	D7WZ-9S514A, D8AZ-9S514C, D8AZ-9S514D, E0AZ-9S514D, E1TZ-9S514B	7125
1983-81	5.8L (G) 351"	All	F-2	2700VV	D9AZ-9J549A	7228
1980-79	5.8L (G,H,M) 351"	All	F-2	2150	D0AZ-9J549C	7000
1977-75	5.8L (H) 351"	Bronco (incl. CA)	F-2	2100	D5AZ-9S514A, D5AZ-9S514C, D5AZ-9S514D, D5TZ-9S514B, D5TZ-9S514C, D5UZ-9S514A	7105
1976-75	5.9L (Y) 360"	Bronco (incl. CA)	F-2	2100	D5AZ-9S514A, D5AZ-9S514C, D5AZ-9S514D, D5TZ-9S514B, D5TZ-9S514C, D5UZ-9S514A	7105
1975-70	5.9L (Y) 360"	All	F-2	2100	D0AZ-9J549C	7000
1976-75	6.4L (H) 390"	Bronco (incl. CA)	F-2	2100	D5AZ-9S514A, D5AZ-9S514C, D5AZ-9S514D, D5TZ-9S514B, D5TZ-9S514C, D5UZ-9S514A	7105
1975-70	6.4L (H) 390"	All	F-2	2100	D0AZ-9J549C	7000
1982-77	6.6L (S,Z) 400"	All (incl. CA)	F-2	2150	D6DZ-9S514A, D8AZ-9S514F, D8AZ-9S514G, D8AZ-9S514H, D8AZ-9S514J, D8UZ-9S514A, D8WZ-9S514A, D9TZ-9S514A, E1TZ-9S514A, E1TZ-9S514F, E1TZ-9S514G, E2TE-9S514B, E3TZ-9S514A, E4TZ-9S514A	7105

CHOKEPULL-OFFS

YEAR	ENGINE	MODEL	MFG	TYPE	OE#	PART#
FORD TRUCK 8 cyl (Contd)						
1980-79	6.6L (S,Z) 400"	All	F-2	2150	D0AZ-9J549C	7000
1977	6.6L (S) 400"	Bronco (incl. CA)	F-2	2100	D5AZ-9S514A, D5AZ-9S514C, D5AZ-9S514D, D5TZ-9S514B, D5TZ-9S514C, D5UZ-9S514A	7105
1987-85	7.5L (L) 460"	All	H-4	4180C	E5PZ-9J549A	7366
1987-85	7.5L (L) 460"	All	H-4	4180C	E4PZ-9J549D	7371
1976	7.5L (A) 460"	F-150-350 (exc. CA)	F-4	4350	D5VZ-9A977A	7165

GMC TRUCK

4 cyl.

1984	2.0L (Y) 121"	S, T-10, 15 Truck (incl. Hi-Alt)	R-2	2SE	PRI 17079964, 17079980 AUX 17079965	7307 7306
1983	2.0L (Y) 121"	S, T-10, 15 Truck	R-2	2SE	PRI 17079108 AUX 17068548	7252 7287

6 cyl.

1985-84	2.8L (B) 173"	S, T-10, 15 Truck (w/A/C, incl. CA)	R-2	E2SE	PRI 17110058, 17110263 AUX 17079996	7351 7224
1985-84	2.8L (B) 173"	S, T-10, 15 Truck (incl. CA)	R-2	2SE	PRI 17110270, 17110281 AUX 17079940, 17079996	7225 7224
1983-82	2.8L (B) 173"	S, T-10, 15 Truck	R-2	2SE	17078531	7387
1983-82	2.8L (B) 173"	S, T-10, 15 Truck	R-2	2SE	PRI 17078013, 17078531 AUX 17067585	7296 7291
1983-82	2.8L (B) 173"	S, T-10, 15 Truck	R-2	2SE	PRI 17078683 AUX 17067585	7297 7291
1979	3.3L (M) 200"	All	R-2	M2ME	17056010	7249
1984	4.1L (D) 250"	C, G, K-10, 15	R-2	2SE	PRI 17079939 AUX 17079946	7225 7185
1984	4.1L (D) 250"	C, G, K-10, 15 (incl. CA)	R-2	2SE	PRI 17110270, 17110281 AUX 17079940, 17079996	7225 7224
1983-81	4.1L (D) 250"	All (incl. CA)	R-2	2SE	PRI 17068674, 17078059 AUX 17068053	7296 7289
1980-79	4.1L (D) 250"	All	R-2	2SE	PRI 17062346, 17064833 AUX 17062348	7225 7185
1978-77	4.1L (D) 250"	All (incl. CA, Heavy Duty)	R-1	1ME	17060446, 17060447, 17067959	7065
1976-75	4.1L (D,Q) 250"	All	R-1	MV	PRI 17052250 AUX 7043127	7065 7082

CHOKEPULL-OFFS

YEAR	ENGINE	MODEL	MFG	TYPE	OE#	PART#
GMC TRUCK 6 cyl (Contd)						
1976-72	4.1L (D,Q) 250"	All	R-1	MV	7030713, 7030918, 17050374	7396
1971-69	4.1L (F) 250"	All	R-1	MV	7034017	7002
1986-85	4.3L (N) 262"	All (incl. CA, Hi-Alt)	R-4	M4MC, M4ME	PRI 17067215 AUX 17110132	7090 7313
8 cyl.						
1981-79	4.4L (J) 267"	All	R-2	M2MC, M2ME	17056010, 17067497, 17070054	7249
1986-77	4.8L (T) 292"	All (incl. CA, Heavy Duty)	R-1	1ME	17060446, 17060447, 17067959	7065
1981-80	4.8L (T) 292"	All	R-1	1ME	17060447	7065
1976-72	4.8L (T) 292"	All	R-1	MV	7030713, 7030918, 17050374	7396
1971-69	4.8L (T) 292"	All	R-1	MV	7034017	7002
1988-85	5.0L (F,G,H) 305"	All	R-4	M4ME	17110961	7293
1987	5.0L (G,H) 305"	All	R-4	M4ME	17067800	7249
1986-81	5.0L (F,H) 305"	C, G, K-15	R-4	M4ME	17067139, 17079871	7293
1985-79	5.0L (F,H) 305"	All (incl. CA)	R-4	M4MC, M4ME	7041534, 17050759, 17051155, 17078735	7090
1984	5.0L (F,H) 305"	C-15, 25, G-25 (incl. CA)	R-4	M4ME	PRI 17067215 AUX 17110132	7090 7313
1984	5.0L (F,H) 305"	All (w/A/T, exc. A/C)	R-4	M4ME	PRI 17079980 AUX 17079871	7307 7293
1983-81	5.0L (F,H) 305"	C, G, K-15, 25	R-4	M4MC, M4ME	PRI 17070389 AUX 17068834	7090 7286
1981-79	5.0L (F,H) 305"	All	R-2	M2MC, M2ME	17056010, 17067497, 17070054	7249
1978-76	5.0L (Q,U) 307"	All	R-2	2GC,2GV	7042715, 7044056, 7048238, 17052732	7037
1974-71	5.0L (X) 307"	All	R-2	2GC,2GV	7042715, 7044056, 7048238, 17052732	7037
1971-69	5.0L 350"	All	R-2	2GV	7036768, 7040849	7028
1969-68	5.4L 327"	All	R-4	4MV	7034909, 7038239	7017
1988-85	5.7L (K,L,M) 350"	All (w/A/T)	R-4	M4ME	PRI 17078312 AUX 17110132	7249 7313
1988-85	5.7L (K,L,M) 350"	All (incl. CA, Export)	R-4	M4ME	PRI 17067800 AUX 17078736	7249 7323
1988-85	5.7L (K,L,M) 350"	All	R-4	M4ME	17110961	7293

CHOKEPULL-OFFS

YEAR	ENGINE	MODEL	MFG	TYPE	OE#	PART#
GMC TRUCK 8 cyl (Contd)						
1986-84	5.7L (E,L,M) 350"	All	R-4	M4ME	PRI 17067215 AUX 17110651	7090 7336
1986-81	5.7L (E,L,M) 350"	C, G, K-15	R-4	M4ME	17067139, 17079871	7293
1985-82	5.7L (E,L,M) 350"	All (w/A/T)	R-4	M4ME	PRI 17079409 AUX 17078723	7090 7188
1985-75	5.7L (E,L,M,Y) 350"	All (incl. CA)	R-4	M4MC, M4ME	7041534, 17050759, 17051155, 17078735	7090
1984	5.7L (E,L,M) 350"	C-15, 25, G-25 (incl. CA)	R-4	M4ME	PRI 17067215 AUX 17110132	7090 7313
1984-80	5.7L (E,L,M) 350"	All (incl. CA)	R-4	M4ME	PRI 7041534 AUX 17059313	7090 7323
1983-81	5.7L (L,M) 350"	C, G, K-15, 25	R-4	M4MC, M4ME	PRI 17070389 AUX 17068834	7090 7286
1980-79	5.7L (L,M) 350"	All (incl. LD)	R-4	M4MC	17062370, 17062371	7188
1978-77	5.7L (L) 350"	All (incl. HD)	R-4	M4MC	7045154	7067
1978-72	5.7L (L,Y) 350"	G-15, 25, 35 (incl. CA)	R-4	4MV, M4MC	7040181, 7040384, 7040385, 7044903, 7048200, 7048206	7067
1976-75	5.7L (L,Y) 350"	All	R-4	M4MC	PRI 17050759 AUX 17050756	7090 7095
1976-71	5.7L (N,V) 350"	All	R-2	2GC,2GV	7042715, 7044056, 7048238, 17052732	7037
1971-70	5.7L 350"	All	R-4	4MV	7043676	7042
1971-69	5.7L 350"	All	R-2	2GV	7036768, 7040849	7028
1969-68	5.7L 350"	All	R-4	4MV	7034909, 7038239	7017
1971-70	6.5L 396"	All	R-4	4MV	7043676	7042
1969-68	6.5L 396"	All	R-4	4MV	7034909, 7038239	7017
1980	6.6L (R,X) 400"	All (incl. CA)	R-4	M4ME	PRI 7041534 AUX 17059313	7090 7323
1980-79	6.6L (R,X) 400"	All (incl. LD)	R-4	M4MC	17062370, 17062371	7188
1980-75	6.6L (M,R,U,X) 400"	All (incl. CA)	R-4	M4MC, M4ME	7041534, 17050759, 17051155, 17078735	7090
1978-77	6.6L (K) 403"	Motor Home	R-4	M4MC	7044435	7153
1978-77	6.6L (R,U) 400"	All (incl. HD)	R-4	M4MC	7045154	7067

CHOKEPULL-OFFS

YEAR	ENGINE	MODEL	MFG	TYPE	OE#	PART#
GMC TRUCK 8 cyl (Contd)						
1978-73	6.6L (R,M,U) 400"	G-15, 25, 35 (incl. CA)	R-4	4MV, M4MC	7040181, 7040384, 7040385, 7044903, 7048200, 7048206	7067
1976-75	6.6L (M,U) 400"	All	R-4	M4MC	PRI 17050759 AUX 17050756	7090 7095
1972	6.6L 402"	G-15, 25, 35 (incl. CA)	R-4	4MV, M4MC	7040181, 7040384, 7040385, 7044903, 7048200, 7048206	7067
1989-85	7.4L (W) 454"	All (w/A/T)	R-4	M4ME	PRI 17078312 AUX 17110132	7249 7313
1989-85	7.4L (W) 454"	All (incl. CA, Export)	R-4	M4ME	PRI 17067800 AUX 17078736	7249 7323
1985-75	7.4L (S,W,Y,Z) 454"	All (incl. CA)	R-4	M4MC, M4ME	7041534, 17050759, 17051155, 17078735	7090
1978-73	7.4L (L,S,Y,Z) 454"	G-15, 25, 35 (incl. CA)	R-4	4MV, M4MC	7040181, 7040384, 7040385, 7044903, 7048200, 7048206	7067
1977-76	7.4L (S,Y) 454"	All	R-4	M4MC	PRI 7043103 AUX 7044027	7090 7122
1976-75	7.4L (S,Y,Z) 454"	All	R-4	M4MC	PRI 17050759 AUX 17050756	7090 7095
1975	7.4L (Z) 454"	All	R-4	M4MC	7041534	7090

HONDA

4 cyl.

1979-75	1.2L (EB2,EB3) 75"	Civic	K-3	-	16025-657-670, 16025-657-671, 16025-671-005	7341
1987-84	1.3L (D13A2,EV1) 82"	Civic	K-3	-	16045-PE0-731, 16045-PE0-741, 16045-PE0-771, 16045-PE0-901, 16045-PE1-741, 16045-PE1-751, 16045-PE1-761, 16045-PE1-781, 16045-PE1-821	7340

CHOKEPULL-OFFS

YEAR	ENGINE	MODEL	MFG	TYPE	OE#	PART#
HONDA 4 cyl (Contd)						
1985-80	1.3L (EJ1,EV1) 82"	Civic	K-3	-	16026-PA0-671, 16026-PA5-661, 16026-PA5-671, 16026-PA6-662, 16026-PA6-671, 16026-PA6-851, 16026-PA6-852, 16026-PB2-691, 16026-PB6-691, 16026-PC2-661, 16026-PC2-681, 16026-PC2-701, 16026-PD2-661, 16026-PD2-671, 16026-671-005, 16026-689-005, 16026-689-671, 16026-689-811	7362
1987-84	1.5L (D15A2,EW1) 91"	All	K-3	-	16045-PE0-731, 16045-PE0-741, 16045-PE0-771, 16045-PE0-901, 16045-PE1-741, 16045-PE1-751, 16045-PE1-761, 16045-PE1-781, 16045-PE1-821	7340
1985-80	1.5L (EM1,EW1) 91"	Accord, Prelude	K-3	-	16026-PA0-671, 16026-PA5-661, 16026-PA5-671, 16026-PA6-662, 16026-PA6-671, 16026-PA6-851, 16026-PA6-852, 16026-PB2-691, 16026-PB6-691, 16026-PC2-661, 16026-PC2-681, 16026-PC2-701, 16026-PD2-661, 16026-PD2-671, 16026-671-005, 16026-689-005, 16026-689-671, 16026-689-811	7362
1979-75	1.5L (ED1,ED2,ED3,ED4) 91" All		K-3	-	16025-657-670, 16025-657-671, 16025-671-005	7341

CHOKEPULL-OFFS

YEAR	ENGINE	MODEL	MFG	TYPE	OE#	PART#
HONDA 4 cyl (Contd)						
1985-80	1.8L (ES2) 107"	Accord, Prelude	K-3	-	16026-PA0-671, 16026-PA5-661, 16026-PA5-671, 16026-PA6-662, 16026-PA6-671, 16026-PA6-851, 16026-PA6-852, 16026-PB2-691, 16026-PB6-691, 16026-PC2-661, 16026-PC2-681, 16026-PC2-701, 16026-PD2-661, 16026-PD2-671, 16026-671-005, 16026-689-005, 16026-689-671, 16026-689-811	7362
1983-79	1.8L (EK1) 107"	Accord, Prelude	K-3	-	16015-PB2-691, 16015-PB2-692, 16015-PB2-841, 16015-PC2-661, 16015-PC2-851, 16015-689-005, 16015-689-015, 16015-689-661, 16015-689-671	7248
1990-88	2.0L (A20A1,B20A3) 119"	All	K-2	-	16045-PK1-661, 16045-PK1-901	7403
1989-87	2.0L (A20A1) 119"	Accord	K-2	-	16045-PH4-661, 16045-PH4-681	7372

JEEP

4 cyl.

1983-81	2.3L (B) 151"	All	R-2	2SE	8133993	7303
1988-85	2.5L (U) 151"	All	C-1	YFA	8983502112	7333
1985-84	2.5L (U) 151"	All	C-1	YFA	8983501002	7333
1980	2.5L (B) 151"	All (exc. CA)	R-2	2SE	8132848	7168

6 cyl.

1986-84	2.8L (W) 173"	All	R-2	E2SE	PRI 8983501019 AUX 8983501020	7351 7224
1985-84	2.8L (W) 173"	All (incl. CA)	R-2	2SE	PRI 8983501019 AUX 8983501020	7351 7224
1988-77	4.2L (C) 258"	All	C-2	BBD	8127321, 8132550	7063
1986-81	4.2L (C) 258"	All	C-2	BBD	8133461, 8134544	7063

8 cyl.

1981-77	5.0L (H) 304"	All	F-2	2100, 2150	8128313, 8130707, 8134496	7105
---------	---------------	-----	-----	---------------	---------------------------------	------

CHOKEPULL-OFFS

YEAR	ENGINE	MODEL	MFG	TYPE	OE#	PART#
JEEP 8 cyl (Contd)						
1981-70	5.0L (H,9) 304"	All	F-2	2100	4484878, 4488478, 8120089, 8121417	7000
1979-77	5.0L (H) 304"	All	F-2	2100	8128313	7105
1971-68	5.7L (9) 350"	All	R-2	2GV	7036766, 7037911	7028
1986-77	5.9L (N) 360"	All	F-2	2100, 2150	8128313, 8130707, 8134496	7105
1986-70	5.9L (N,9) 360"	All	F-2	2100	4484878, 4488478, 8120089, 8121417	7000
1979-77	5.9L (N) 360"	All	F-2	2100	8128313	7105
1976-75	5.9L (P) 360"	All	F-4	4300	8127372	7120
1978-75	6.6L (Z) 401"	All	F-4	4300	8127372	7120

LINCOLN

6 cyl.

1982	3.8L (3) 232"	Continental (exc. CA, Hi-Alt)	F-2	2150	E2SZ-9S514D	7105
1982	3.8L (3) 232"	Continental	F-2	2700VV, 7200VV	D9AZ-9J549A	7228

8 cyl.

1985-80	5.0L (F) 302"	All	F-2,EFI	2700VV	D9AZ-9J549A, E0PZ-9J549F	7228
1980-78	5.0L (F) 302"	All (incl. Canada)	F-2	2150	D7AZ-9S514D, D8AZ-9S514F, E2SZ-9S514D	7105
1978	5.0L (F) 302"	All (exc. CA, Hi-Alt)	F-2	2150	D8AZ-9S514C, D8AZ-9S514D	7125
1980	5.8L (G) 351"	All	F-2	2700VV	D9AZ-9J549A, E0PZ-9J549F	7228
1980-77	5.8L (G,H) 351"	All (incl. Canada)	F-2	2150	D7AZ-9S514D, D8AZ-9S514F, E2SZ-9S514D	7105
1977	5.8L (G) 351"	All (exc. CA, Hi-Alt)	F-2	2150	D8AZ-9S514C, D8AZ-9S514D	7125
1979-77	6.6L (S) 400"	All (incl. Canada)	F-2	2150	D7AZ-9S514D, D8AZ-9S514F, E2SZ-9S514D	7105
1978-77	6.6L (S) 400"	All (exc. CA, Hi-Alt)	F-2	2150	D8AZ-9S514C, D8AZ-9S514D	7125
1978-75	7.5L (A) 460"	(All/T)	F-4	4350	D5VZ-9A977A, D7VZ-9A977B	7165
1974	7.5L (A) 460"	All	C-4	TQ	D4AZ-9J549A	7043

CHOKEPULL-OFFS

YEAR	ENGINE	MODEL	MFG	TYPE	OE#	PART#
MAZDA						
4 cyl.						
1990-87	All	All	MI-SL	2Bbl		7408
1990-87	All	All	MI-SL	2Bbl		7409
1986-80	All	All (use w/P/N 7411)	MI-SL	2Bbl		7410
1986-80	All	All (use w/P/N 7410)	MI-SL	2Bbl		7411
1990-87	All	All	MI-SL	2Bbl	-	7404
1990-87	All	All	MI-SL	2Bbl	-	7405
1990-87	All	All	MI-SL	2Bbl	-	7406
1986-80	All	All	MI-SL	2Bbl	-	7398
1986-80	All	All	MI-SL	2Bbl	-	7399

See pages 188 through 189 for Mikuni-Solex Choke Pull-off illustrations.

MERCURY

4 cyl.						
1985-84	1.6L (2,4) 98"	All	HW-2	740	E4PZ-9J549A, E4PZ-9J549C	7366
1984-83	1.6L (5) 98"	All	F-2	EFI	D9AZ-9J549A	7228
1983-81	1.6L (2,4) 98"	All	HW-2	740	E1PZ-9J549A, E1PZ-9J549D, E2PZ-9J549A, E3PZ-9J549D, E3PZ-9J549E	7235
1986-84	1.9L (9) 116"	All	HW-2	740	E4PZ-9J549A, E4PZ-9J549B, E4PZ-9J549C	7366
1974-72	2.0L (N) 122"	Bobcat, Capri (incl. CA, Turbo)	HW-2	5200	D1FZ-9J549A, D2RY-9J549A, D3FZ-9J549A, D9PZ-9J549A, E0PZ-9J549A, E0PZ-9J549C, E0PZ-9J549E	7077
1985-84	2.3L (A,R) 140"	All (incl. Canada)	H-1	6149	E4PZ-9S514A, E4PZ-9S514B, E4PZ-9S514C, E4PZ-9S514D	7246
1985-83	2.3L (A,R) 140"	All	C-1	YFA	E3PZ-9J549B, E3PZ-9J549C, E3PZ-9J549F, E5PZ-9J549B	7369
1982-71	2.3L (A,W,Y) 140"	All (incl. CA, incl. Turbo)	HW-2	5200	D1FZ-9J549A, D2RY-9J549A, D3FZ-9J549A, D9PZ-9J549A, E0PZ-9J549A, E0PZ-9J549C, E0PZ-9J549E	7077

CHOKEPULL-OFFS

YEAR	ENGINE	MODEL	MFG	TYPE	OE #	PART #
MERCURY (Contd)						
6 cyl.						
1979	2.8L (Z) 171"	All (incl. CA)	F-2	2700VV, 7200VV	D9AZ-9J549A	7228
1979-77	2.8L (Z) 171"	All (exc. CA)	F-2	2100, 2150	D7WZ-9S514A, D8AZ-9S514D	7125
1977-75	2.8L (Z) 171"	All	F-2	2100	D5ZZ-9S514A, D8AZ-9S514L	7105
1974	2.8L (Z) 171"	All	HW-2	5200	D2RY-9J549A	7115
1983-81	3.3L (B,X) 200"	All (incl. CA)	H-1	1946	E1PZ-9S514A, E1PZ-9S514B	7246
1981-78	3.3L (B,T) 200"	All (incl. CA, Hi-Alt)	H-1	1946	D8PZ-9S514C, D9PZ-9S514C, E0PZ-9S514A	7230
1980	3.3L (B) 200"	All (incl. CA)	H-1	1946	E0PZ-9S514B	7023
1980-78	3.3L (B,T) 200"	All (incl. CA)	C-1	YF,YFA	D8PZ-9S514A, D9PZ-9S514A, D9PZ-9S514B	7369
1986-82	3.8L (C,3) 232"	All (exc. CA, incl. Canada)	F-2	2150	E2SZ-9S514D	7105
1985-82	3.8L (C,3) 232"	All (incl. CA, Canada)	F-2	2700VV, 7200VV	D9AZ-9J549A	7228
1983-82	3.8L (3) 232"	All (incl. CA)	H-1	1946	E1PZ-9S514A, E1PZ-9S514B	7246
1980-78	4.1L (C,L) 250"	All (incl. CA)	C-1	YF,YFA	D8PZ-9S514A, D9PZ-9S514A, D9PZ-9S514B	7369
8 cyl.						
1982-80	4.2L (D) 255"	All (incl. CA)	F-2	2700VV	D9AZ-9J549A	7228
1982-80	4.2L (D) 255"	All (incl. CA, Canada)	F-2	2100, 2150	D5AZ-9S514A, D5AZ-9S514F, D5TZ9S514C, D5ZZ-9S514B, D7AZ-9S514E, D8AZ-9S514G, D8AZ-9S514P, D8WZ-9S514A, D8ZZ-9S514C, E1AZ-9S514C, E1SZ-9S514B, E2SE-9S514D, E2SZ-9S514A, E2SZ-9S514D, E2TZ-9S514B	7105
1981-80	4.2L (D) 255"	All (incl. CA, Canada)	F-2	2150	D8AZ-9S514C, D8AZ-9S514D, E1SZ-9S514A, E1TZ-9S514B	7125
1985	5.0L (M) 302"	All (incl. HO)	H-4	4180C	E4PZ-9J549A	7366
1985	5.0L (M) 302"	All (incl. HO)	H-4	4180C	E4PZ-9J549D	7371
1985-81	5.0L (F) 302"	All	F-2	CFI	D9AZ-9J549A	7228

CHOKEPULL-OFFS

YEAR	ENGINE	MODEL	MFG	TYPE	OE#	PART#
MERCURY 8 cyl (Contd)						
1983-75	5.0L (F) 302"	All (incl. CA, Canada)	F-2	2100, 2150	D5AZ-9S514A, D5AZ-9S514F, D5TZ9S514C, D5ZZ-9S514B, D7AZ-9S514E, D8AZ-9S514G, D8AZ-9S514P, D8WZ-9S514A, D8ZZ-9S514C, E1AZ-9S514C, E1SZ-9S514B, E2SE-9S514D, E2SZ-9S514A, E2SZ-9S514D, E2TZ-9S514B	7105
1982-79	5.0L (F) 302"	All (incl. CA)	F-2	2700VV, 7200VV	D9AZ-9J549A	7228
1980-77	5.0L (F) 302"	All (incl. Canada)	F-2	2150	D8AZ-9S514C, D8AZ-9S514D, E1SZ-9S514A, E1TZ-9S514B	7125
1979	5.0L (F) 302"	All (w/A/T, exc. CA)	F-2	2150	D9AZ-9S514N	7125
1977	5.0L (F) 302"	All (exc. CA, Hi-Alt)	F-2	2100	D7WZ-9S514A	7125
1974-70	5.0L (D,F) 302"	All	F-2	2100	D0AZ-9S514C, D0AZ-9J549C	7000
1990-79	5.8L (G,H,Q) 351"	All (incl. CA)	F-2	2700VV, 7200VV	D9AZ-9J549A	7228
1981-77	5.8L (G,H,Q) 351"	All (incl. CA, Canada)	F-2	2150	D8AZ-9S514C, D8AZ-9S514D, E1SZ-9S514A, E1TZ-9S514B	7125
1981-75	5.8L (G,H,Q) 351"	All (incl. M, W, Canada)	F-2	2100, 2150	D5AZ-9S514A, D5AZ-9S514F, D5TZ9S514C, D5ZZ-9S514B, D7AZ-9S514E, D8AZ-9S514G, D8AZ-9S514P, D8WZ-9S514A, D8ZZ-9S514C, E1AZ-9S514C, E1SZ-9S514B, E2SE-9S514D, E2SZ-9S514A, E2SZ-9S514D, E2TZ-9S514B	7105
1977	5.8L (H,Q) 351"	All (exc. CA, Hi-Alt)	F-2	2100	D7WZ-9S514A	7125
1974-70	5.8L (H) 351"	All	F-2	2100	D0AZ-9S514C, D0AZ-9J549C	7000
1971-70	6.4L (Y) 390"	All	F-2	2100	D0AZ-9S514C, D0AZ-9J549C	7000
1978-77	6.6L (S) 400"	All (incl. CA, Canada)	F-2	2150	D8AZ-9S514C, D8AZ-9S514D, E1SZ-9S514A, E1TZ-9S514B	7125

CHOKEPULL-OFFS

YEAR	ENGINE	MODEL	MFG	TYPE	OE #	PART #
MERCURY 8 cyl (Contd)						
1978-75	6.6L (S) 400"	All (incl. Canada)	F-2	2100, 2150	D5AZ-9S514A, D5AZ-9S514F, D5TZ9S514C, D5ZZ-9S514B, D7AZ-9S514E, D8AZ-9S514G, D8AZ-9S514P, D8WZ-9S514A, D8ZZ-9S514C, E1AZ-9S514C, E1SZ-9S514B, E2SE-9S514D, E2SZ-9S514A, E2SZ-9S514D, E2TZ-9S514B	7105
1977	6.6L (S) 400"	All (exc. CA, Hi-Alt)	F-2	2100	D7WZ-9S514A	7125
1974-71	6.6L (S) 400"	All	F-2	2100	D0AZ-9S514C, D0AZ-9J549C	7000
1972-70	7.0L (K) 429"	All	F-2	2100	D0AZ-9S514C, D0AZ-9J549C	7000
1971-70	7.0L (C,J,N,P,Z) 429"	All (Cobra Jet Police)	R-4	4MV	D00Z-959SFA, 7038239	7017
1978-75	7.5L (A,C) 460"	All	F-4	4300, 4350	D5VZ-9A977A, D7VZ-9A977B, D7VZ-9S514B	7165
1974	7.5L (A,C) 460"	All	C-4	TQ	D4AZ-9J549A	7043

MITSUBISHI

4 cyl.

1990-87	All	All	MI-SL	2Bbl		7408
1990-87	All	All	MI-SL	2Bbl		7409
1986-80	All	All (use w/P/N 7411)	MI-SL	2Bbl		7410
1986-80	All	All (use w/P/N 7410)	MI-SL	2Bbl		7411
1990-87	All	All	MI-SL	2Bbl	-	7404
1990-87	All	All	MI-SL	2Bbl	-	7405
1990-87	All	All	MI-SL	2Bbl	-	7406
1986-80	All	All	MI-SL	2Bbl	-	7398
1986-80	All	All	MI-SL	2Bbl	-	7399

See pages 188 through 189 for Mikuni-Solex Choke Pull-off illustrations.

NISSAN

4 cyl.

1982-81	1.2L (A12) 75"	210	HI-2	-	16011-H9500, 16011-H9510, 16011-H9511, 16011-H9800, 16011-H9810	7211
1980	1.2L (A12) 75"	210 (incl. CA)	HI-2	-	16010-H9970	7386
1972	1.2L (A12) 71"	B110	HI-2	-	16011-H3910	7211

CHOKEPULL-OFFS

YEAR	ENGINE	MODEL	MFG	TYPE	OE#	PART#
NISSAN 4 cyl (Contd)						
1980	1.4L (A14) 85"	310	HI-2	-	16010-M6610, (Positioner)	7379
1980-78	1.4L (A14) 85"	210	HI-2	-	16011-H7680, 16011-H9160	7213
1980-75	1.4L (A14) 85"	B210, 310, F-10	HI-2	-	16011-H7200, 16011-H7210, 16011-H7260, 16011-H7300, 16011-H7311, 16011-H8310, 16011-M4900, 16011-M5900	7390
1982	1.5L (A15,E15,E15S) 91"	Pulsar, Sentra (incl. CA)	HI-2	-	16011-31M00, 16011-33M00	7376
1982-81	1.5L (A15) 91"	210	HI-2	-	16011-H9500, 16011-H9510, 16011-H9511, 16011-H9800, 16011-H9810	7211
1983	1.6L (E16) 97"	Pulsar, Sentra (incl. CA)	HI-2	-	16011-31M00, 16011-33M00	7376
1972	1.6L (L16) 97"	521, 620	HI-2	-	16011-N0918	7212
1974-73	1.8L (L18) 108"	620	HI-2	-	16199-U2200	7212
1983	2.0L (Z20) 119"	Pickup	HI-2	-	16011-10W00, 16011-10W01, 16011-20W00, 16011-20W20, 16011-20W60	7377
1981-80	2.0L (L20B,Z20S) 119"	510, Pickup	HI-2	-	16199-W8800, 16199-W8900, 16199-W8901, 16199-W8902	7374
1981-78	2.0L (L20B) 119"	510	HI-2	-	16199-U9510, 16199-W6800	7212
1980-78	2.0L (L20B) 119"	Pickup	HI-2	-	16199-U7500	7212
1978-77	2.0L (L20B) 119"	All	HI-2	-	16011-B8910, 16011-B9901, 16011-N5800, 16011-N5900, 16011-U9400, 16011-W5840, 16011-W5900	7212
1982-81	2.2L (Z22) 133"	510, Pickup	HI-2	-	16199-W8800, 16199-W8900, 16199-W8901, 16199-W8902	7374
1983	2.4L (Z24) 146"	All	HI-2	-	16011-10W00, 16011-10W01, 16011-20W00, 16011-20W20, 16011-20W60	7377

CHOKEPULL-OFFS

YEAR	ENGINE	MODEL	MFG	TYPE	OE#	PART#
OLDSMOBILE						
4 cyl.						
1982	1.8L (G) 112"	Firenza	R-2	2SE	PRI 17068556, 17078787 AUX 17068548	7252 7287
1982	1.8L (G) 112"	Firenza (incl. Canada)	R-2	2SE	PRI 17078138 AUX 17068548	7297 7287
1984	2.0L (B,P) 173"	Firenza (w/M/T, incl. Canada, Export)	R-2	2SE	PRI 17079980, 17110331 AUX 17079965	7307 7306
1983-82	2.0L (B) 121"	Firenza	R-2	2SE	PRI 17068556, 17078787 AUX 17068548	7252 7287
1977	2.3L (B) 140"	All (exc. CA)	HW-2	5210	360971,464089	7115
1981	2.5L (5) 151"	Omega (incl. Canada, Export)	R-2	2SE	17068105, 17079239	7304
1981	2.5L (5) 151"	Omega (incl. Canada, Export)	R-2	2SE	17068102	7303
1981-79	2.5L (V,1,5,9) 151"	All (incl. CA)	R-2	2SE,E2SE	17058485, 17062293, 17064563, 17070012	7168
1979	2.5L (1) 151"	All	HW-2	6510	10005732	7115
1978	2.5L (V,1) 151"	All (exc. CA)	HW-2	5210	360971,464089	7115
6 cyl.						
1986-84	2.8L (X,Z) 173"	Ciera, Omega	R-2	2SE	PRI 17079994 AUX 17079996	7308 7224
1986-84	2.8L (X,Z) 173"	Ciera, Omega (w/o A/C, incl. Canada, Export)	R-2	2SE	PRI 17110176 AUX 17079996	7225 7224
1985-84	2.8L (X,Z) 173"	Ciera, Omega (w/A/C)	R-2	2SE	PRI 17110173 AUX 17079996	7351 7224
1983-81	2.8L (X,Z) 173"	Ciera, Omega	R-2	2SE	PRI 17068637, 17079770 AUX 17067585	7297 7291
1983-81	2.8L (X,Z) 173"	Ciera, Omega (exc. AC)	R-2	2SE	PRI 17078169 AUX 17067585	7296 7291
1980	2.8L (7) 173"	All (exc. A/T, w/o A/C)	R-2	2SE	PRI 17064234 AUX 17062339	7223 7224
1980	2.8L (7) 173"	All (incl. A/T, w/o A/C)	R-2	2SE	PRI 17064232 AUX 17062339	7225 7224
1985-84	3.0L (E) 181"	All	R-2	E2ME	PRI 17067466 AUX 17068802	7249 7400
1987-81	3.8L (A) 231"	Cutlass, Cutlass Supreme, Delta 88	R-2	E2ME	PRI 17068466 AUX 17067468, 17079437	7249 7285
1987-81	3.8L (A) 231"	Cutlass, Cutlass Supreme, Delta 88I	R-2	E2ME	PRI 17067466 AUX 17068802	7249 7400
1983-81	3.8L (A) 231"	Cutlass, Cutlass Supreme, Delta 88	R-4	M4ME	PRI 17067438, 17070050 AUX 17067342, 17072541	7090 7395

CHOKEPULL-OFFS

YEAR	ENGINE	MODEL	MFG	TYPE	OE#	PART#
OLDSMOBILE 6 cyl (Contd)						
1981-79	3.8L (A,2) 231"	All (All/T, incl. CA)	R-2	M2ME	PRI 17060808, 17068345 AUX 17062251, 17067544	7249 7169
1978-75	3.8L (A,C) 231"	All	R-2	2GC	PRI 7043585 AUX 7049893	7079 7084
1984	4.1L (4) 252"	Toronado	R-4	M4ME	17067438	7090
1984	4.1L (4) 252"	Toronado	R-4	M4ME	PRI 17067438 AUX 17110128	7090 7394
1983-81	4.1L (4) 252"	98, Regency, Toronado	R-4	M4ME	PRI 17067438, 17070050 AUX 17067342, 17072541	7090 7395
1981	4.1L (4) 252"	98, Regency, Toronado	R-4	M4ME	PRI 17050759 AUX 17050742	7090 7086
1976-75	4.1L (D) 250"	All	R-1	MV	PRI 17052250 AUX 7043127	7065 7082
1974-73	4.1L (D) 250"	All	R-1	MV	7030918	7396
1971-68	4.1L 250"	All	R-1	MV	7034017	7002
1966	4.1L 250"	All	R-1	BV	7025091	7008
8 cyl.						
1982-81	4.3L (F,8) 260"	Cutlass, Delta 88	R-2	E2ME	PRI 17067465 AUX 17068305	7153 7285
1982-78	4.3L (F,8) 260"	All (incl. CA, Hi-Alt)	R-2	M2ME	PRI 17070067 AUX 17060651	7153 7173
1979-78	4.3L (F) 260"	All	R-2	M2MC	PRI 17060649 AUX 17060650	7153 7169
1977-75	4.3L (F) 260"	All	R-2	2MC	27052191	7083
1990-84	5.0L (Y,9) 307"	All	R-4	E4MC	PRI 17067211 AUX 17111101	7153 7385
1988-78	5.0L (G,H,U) 305"	All	R-2,R-4	M2ME, M4ME	17056010, 17063485, 17067173, 17068319, 17070054, 17078312	7249
1985-84	5.0L (Y) 307"	Cutlass, Delta 88, Toronado (incl. Canada)	R-4	M4MC	PRI 17067211 AUX 17110085	7153 7394
1983-82	5.0L (Y) 307"	Cutlass, Cutlass Supreme, Delta 88, Regency 98, Toronado	R-4	M4MC	PRI 17070063 AUX 17078307	7153 7286
1983-81	5.0L (Y) 307"	Cutlass, Cutlass Supreme, Delta 88, Regency 98, Toronado	R-4	M4MC	PRI 17067211 AUX 17067217	7153 7395
1982-80	5.0L (Y) 307"	All (incl. CA, Hi-Alt)	R-4	M4MC	PRI 7044435 AUX 7044431, 17056548	7153 7358
1980	5.0L (H) 305"	All (incl. CA)	R-4	M4MC	PRI 17050759 AUX 17064797	7090 7173
1980-78	5.0L (H) 305"	All	R-4	M4MC	17050759	7090
1979	5.0L (Y) 301"	All	R-2	M2MC	PRI 17062360 AUX 7045179	7249 7173
1978-77	5.0L (U) 305"	All	R-2	2GC	7044056	7037

CHOKEPULL-OFFS

YEAR	ENGINE	MODEL	MFG	TYPE	OE#	PART#
OLDSMOBILE 8 cyl (Contd)						
1967	5.4L 330"	All	R-4	4MV	7033841, 7035607	7017
1980-77	5.7L (L,R,X) 350"	All	R-4	M4MC	17050759	7090
1980-77	5.7L (L,R,X) 350"	All (incl. CA, Hi-Alt)	R-4	M4MC	PRI 7044435 AUX 7044431, 17056548	7153 7358
1979-77	5.7L (L,R,X) 350"	All	R-4	M4MC	PRI 7044435 AUX 7044433	7153 7358
1976-75	5.7L (H) 350"	All	R-2	2GC	PRI 7043585 AUX 7043626	7079 7084
1976-75	5.7L (J,K,L) 350"	All	R-4	M4MCA	PRI 17051261 AUX 17050742	7090 7086
1976-75	5.7L (J,K,L) 350"	All	R-4	M4MCA	PRI 7043469 AUX 17050733	7153 7358
1974-73	5.7L (K,M) 350"	All (incl. CA, Hi-Alt)	R-4	4MV	7040100, 17050396	7059
1973-71	5.7L (H) 350"	All	R-2	2GV	7040034, 7046047	7039
1972-70	5.7L (K,M) 350"	All (exc. Ram Air)	R-4	4MC	7026213, 7043732	7040
1970-69	5.7L 350"	All	R-2	2GC	7026125, 7027641	7084
1979-77	6.6L (K) 403"	All (incl. CA, Hi-Alt)	R-4	M4MC	PRI 7044435 AUX 7044431, 17056548	7153 7358
1975	6.6L (S) 400"	All	R-4	M4MC	PRI 17051321 AUX 7043497	7090 7088
1969	6.6L 400"	All	R-2	2GC	7026125, 7027641	7084
1966	6.6L 400"	All	R-2	2GC	7026097	7028
1967	7.0L (R,S,T) 425"	All	R-4	4MV	7033841, 7035607	7017
1966	7.0L 425"	All	R-2	2GC	7026097	7028
1970-69	7.4L 455"	All	R-2	2GC	7026125, 7027641	7084
1969-68	7.4L 455"	All	R-4	4MV	7033841, 7035607	7017
1976-75	7.5L (S,T,W) 455"	All	R-4	M4MCA	PRI 7043469 AUX 17050733	7153 7358
1974-73	7.5L (T,U,V,W) 455"	All (incl. Hi-Alt, CA)	R-4	4MV	7040100, 17050396	7059
1973-71	7.5L (T,U,V,W) 455"	All	R-2	2GV	7040034, 7046047	7039
1972-70	7.5L (T,U,V,W,X) 455"	All (exc. Ram Air)	R-4	4MC	7026213, 7043732	7040

CHOKEPULL-OFFS

YEAR	ENGINE	MODEL	MFG	TYPE	OE#	PART#
PLYMOUTH						
4 cyl.						
1987-78	1.7L (A,B) 105"	Omni	H-2	5220	4131139, 4131130, 4131210, 4240079, 4240198, 4267095, 4267178	7115
1987-81	2.2L (B,C) 135"	Horizon	H-2	5220	4131130, 4131139, 4131210, 4240079, 4240198, 4267095, 4297178	7115
6 cyl.						
1969-65	2.7L (A) 170"	All	H-1	1920	2809388, 2809389, 3419508, 3419511, 3419621, 3685730, 3685846	7392
1974	3.2L (B) 198"	All (incl. CA)	H-1	1945	3780672, 3780673, 3879141, 4240064	7072
1973-65	3.2L (B) 198"	All	H-1	1920	2809388, 2809389, 3419508, 3419511, 3419621, 3685730, 3685846	7392
1983	3.7L (H,J) 225"	All	H-1	6145	4271950	7324
1982-81	3.7L (E,F) 225"	All (incl. CA)	H-1	6145	4267123	7260
1981-77	3.7L (D) 225"	All	C-2	BBD	3879842	7063
1980-74	3.7L (C) 225"	All (incl. CA)	H-1	1945	3780672, 3780673, 3879141, 4240064	7072
1973-65	3.7L (C) 225"	All	H-1	1920	2809388, 2809389, 3419508, 3419511, 3419621, 3685730, 3685846	7392

CHOKEPULL-OFFS

YEAR	ENGINE	MODEL	MFG	TYPE	OE#	PART#
PLYMOUTH(Contd)						
8 cyl.						
1969-65	4.5L (D,E) 273"	All	C-2	BBD	2933103, 3419587, 3780153, 3879841, 3879842, 4186226	7063
1989-87	5.2L (S) 318"	All	R-4	E4ME	4342912	7249
1989-87	5.2L (S) 318"	All	R-4	M4ME	4342838	7293
1989-85	5.2L (P,4) 318"	All (incl. Canada, Export)	H-2	2280, 6280	4293895	7189
1984-65	5.2L (F,G,K,L,P,4) 318"	All	C-2	BBD	2933103, 3419587, 3780153, 3879841, 3879842, 4186226, 4271956	7063
1981	5.2L (M,N) 318"	All (incl. CA)	C-4	TQ	4267133	7255
1981	5.2L (M,N) 318"	All (incl. CA)	C-4	TQ	3621209, 3621210, 4049239, 4049240, 4131250, 4186290	7043
1979-78	5.2L (G) 318"	All	H-2	2280	4131088	7189
1973-71	5.6L (H) 340"	All (incl. CA)	C-4	TQ	3621209, 3621210, 4049239, 4049240, 4131250, 4186290	7043
1971	5.6L (H) 340"	All	C-4	AVS	3621209, 3621210	7043
1970	5.6L (J) 340"	All (w/3 Carb, Center Carb)	H-2	2300	3419515, 3419620	7023
1979-75	5.9L (K) 360"	All	H-2	2245	3879799, 4026224	7098
1979-74	5.9L (J,L) 360"	All (incl. CA)	C-4	TQ	3621209, 3621210, 4049239, 4049240, 4131250, 4186290	7043
1974-71	5.9L (K) 360"	All	H-2	2210, 2300	3419508, 3549450, 3683874, 3685732, 3744550	7392
1972-67	6.2L (N) 383"	All	H-4	4160	3419515, 3419620, 3621261, 3621274	7023

CHOKEPULL-OFFS

YEAR	ENGINE	MODEL	MFG	TYPE	OE#	PART#
PLYMOUTH 8 cyl (Contd)						
1974-70	6.3L (N) 383"	All	H-2	2210, 2300	3419508, 3549450, 3683874, 3685732, 3744550	7392
1964	6.3L 383"	All	C-4	AFB	2448990	7004
1978-71	6.6L (N,P) 400"	All (incl. CA)	C-4	TQ	3621209, 3621210, 4049239, 4049240, 4131250, 4186290	7043
1976-75	6.6L (M) 400"	All	H-2	2245	3879799, 4026224	7098
1974-72	6.6L (M) 400"	All	H-2	2210, 2300	3419508, 3549450, 3683874, 3685732, 3744550	7392
1964	6.8L 413"	All	C-4	AFB	2448990	7004
1964	7.0L 426"	All	C-4	AFB	2448990	7004
1978-71	7.2L (T,U) 440"	All (incl. CA)	C-4	TQ	3621209, 3621210, 4049239, 4049240, 4131250, 4186290	7043
1972-67	7.2L (T,U) 440"	All	H-4	4160	3419515, 3419620, 3621261, 3621274	7023
1971-70	7.2L (V) 440"	All (w/3 Carb, Center Carb)	H-2	2300	3419515, 3419620	7023

PONTIAC

4 cyl.

1987-82	1.6L (C) 98"	T1000 (All/T, exc. Canada)	H-2	6510	14050669, 14071857, 14082791	7349
1986-81	1.6L (C,9) 98"	T1000 (incl. CA, Canada, Export)	HW-2	5210	14009797, 14009798	7077
1982	1.8L (G) 112"	J2000 (incl. Canada)	R-2	2SE	PRI 17068050, 17068547 AUX 17068548	7252 7287
1982	1.8L (G) 112"	J2000 (incl. Canada)	R-2	2SE	PRI 17078138 AUX 17068548	7297 7287
1984	2.0L (B) 121"	J2000 (All/T, incl. Canada)	R-2	2SE	PRI 17079980, 17110331 AUX 17079965	7307 7306
1983	2.0L (B) 121"	J2000 (incl. Canada)	R-2	2SE	PRI 17068050, 17068547 AUX 17068548	7252 7287

CHOKEPULL-OFFS

YEAR	ENGINE	MODEL	MFG	TYPE	OE#	PART#
PONTIAC 4 cyl (Contd)						
1977-75	2.3L (B) 140"	All	HW-2	5200, 5210	335124, 345644, 374558, 464089, 10005732	7115
1976-75	2.3L (A) 140"	All	R-1	1ME,1MV	7043090, 7043098, 7045561, 17051663	7397
1983-81	2.5L (F,S,5)	All (incl. Canada, Export)	R-2	2SE	17068105, 17079239	7304
1983-81	2.5L (F,S,5) 151"	All (incl. Canada, Export)	R-2	2SE	17068102	7303
1981-79	2.5L (V,5,9) 151"	Phoenix, Sunbird (incl. CA)	R-2	2SE,E2SE	17058485, 17062293, 17064563, 17070012	7168
1979-77	2.5L (V,1) 151"	All	HW-2	5200, 5210, 6510	335124, 345644, 374558, 464089, 10005732	7115
6 cyl.						
1986-84	2.8L (L,X,Z,1) 173"	6000, Firebird, Phoenix	R-2	2SE	PRI 17079994 AUX 17079996	7308 7224
1986-84	2.8L (L,X,Z,1) 173"	6000, Firebird (w/o A/C, incl. Canada, Export)	R-2	2SE	PRI 17110211 AUX 17079996	7225 7224
1985-84	2.8L (L,X,Z,1) 173"	6000, Firebird (w/A/C, incl. Canada, Export)	R-2	2SE	PRI 17110173 AUX 17079996	7351 7224
1983-81	2.8L (X,Z,1) 173"	All	R-2	2SE	PRI 17078169, 17079258 AUX 17067548, 17079613	7296 7291
1983-81	2.8L (X,Z,1) 173"	All	R-2	2SE	PRI 17078028, 17078150, 17079259 AUX 17067548, 17067585, 17079613	7297 7291
1981-79	2.8L (X,Z,7) 173"	All	R-2	M2MC, M2ME	PRI 17060808, 17064917 AUX 17060825, 17062251	7249 7169
1980	2.8L (7) 173"	All (exc. A/T, w/o A/C)	R-2	2SE	PRI 17062342 AUX 17062339	7223 7224
1980	2.8L (7) 173"	All (w/A/T, w/o A/C)	R-2	2SE	PRI 17062344 AUX 17062339	7225 7224
1980	2.8L (7) 173"	All (exc. A/T, w/o A/C)	R-2	2SE	PRI 17062342 AUX 17062339	7223 7224
1968-64	3.5L 215"	All	R-1	BV	7028644	7008
1987-81	3.8L (A) 231"	All	R-2	E2ME	PRI 17068466 AUX 17067468, 17079437	7249 7285

CHOKEPULL-OFFS

YEAR	ENGINE	MODEL	MFG	TYPE	OE#	PART#
PONTIAC 6 cyl (Contd)						
1987-81	3.8L (A) 231"	All	R-2	E2ME	PRI 17067466 AUX 17068802	7249 7400
1983-80	3.8L (K,9) 229"	All	R-2	M2ME	17063485, 17067497, 17068319, 17070054	7249
1981-79	3.8L (A,2) 231"	All	R-2	M2MC, M2ME	PRI 17060808, 17064917 AUX 17060825, 17062251	7249 7169
1978-76	3.8L (A,C) 231"	All	R-2	2GC	PRI 7043585 AUX 7049893	7079 7084
1969-67	3.8L 230"	All	R-4	4MV	7032762, 7035493	7017
1968-64	3.8L 230"	All	R-1	BV	7028644	7008
1982	4.1L (4) 252"	All	R-4	M4ME	PRI 17070050 AUX 17072541	7090 7395
1976-75	4.1L (D) 250"	All	R-1	MV	PRI 17052250 AUX 7043127	7065 7082
1974-72	4.1L (D) 250"	All	R-1	MV	7030713, 7030918	7396
1971-68	4.1L 250"	All	R-1	MV	7034017	7002
1969-67	4.1L 250"	All	R-4	4MV	7032762, 7035493	7017
8 cyl.						
1981	4.3L (S) 265"	Firebird, LeMans, Grand Prix	R-2	E2ME	17070055	7249
1981-80	4.3L (S) 265"	All	R-2	M2MC	PRI 7044343, 17062360 AUX 7045179	7249 7173
1976-75	4.3L (F) 260"	All	R-2	2MC	17052191	7083
1981	4.4L (J) 267"	Firebird, LeMans, Grand Prix	R-2,R-4	M2MC, M2ME, M4ME	17056010, 17067173, 17067800, 17068319, 17078312	7249
1981	4.9L (W) 301"	Firebird, LeMans, Grand AM, Grand Prix	R-4	M4ME	PRI 17067331 AUX 17067339	7090 7395
1981	4.9L (W) 301"	Firebird, LeMans, Grand AM, Grand Prix	R-4	M4ME	PRI 17067331 AUX 17037335, 17067337	7090 7286
1981	4.9L (W) 301"	Firebird, LeMans, Grand AM, Grand Prix	R-4	E4ME	17067339	7395
1981	4.9L (T) 301"	Firebird (w/Turbo)	R-4	M4MC	PRI 17060832 AUX 17064919	7090 7358
1981-78	4.9L (T,W) 301"	All (incl. CA)	R-4	M4MC, M4J,MCA	PRI 17051321, 17054572, 17060832 AUX 7043497, 17053083	7090 7088
1979-78	4.9L (Y) 301"	All	R-2	M2MC	PRI 7044343, 17062360 AUX 7045179	7249 7173

CHOKEPULL-OFFS

YEAR	ENGINE	MODEL	MFG	TYPE	OE#	PART#
PONTIAC 8 cyl (Contd)						
1989-86	5.0L (Y) 307"	All	R-4	M4MC	PRI 17067211 AUX 17111101	7153 7385
1987-79	5.0L (G,H) 305"	Bonneville, Firebird, Grand Prix, LeMans, Pavisienne, Safari	R-2,R-4	M2MC, M2ME, M4ME	17056010, 17067173, 17067800, 17068319, 17078312	7249
1986	5.0L (G,H) 305"	All (incl. Canada, Export)	R-4	M4ME	PRI 17078312 AUX 17110132	7249 7313
1981	5.0L (Y) 307"	Bonneville, Catalina	R-4	M4MC	PRI 1706721 AUX 17067217	7153 7395
1980-78	5.0L (H) 305"	All (incl. CA, Hi-Alt, HP)	R-4	M4MC	PRI 7044435 AUX 7044431, 7044433, 17056548	7153 7358
1980-78	5.0L (H) 305"	All (incl. CA)	R-4	M4MC	17050759	7090
1980-78	5.0L (H) 305"	All	R-4	M4MC	PRI 17051261 AUX 17050742	7090 7086
1978-77	5.0L (U) 305"	All	R-2	2GC,2GV	7044056, 17052732	7037
1977	5.0L (Y) 301"	All	R-2	M2MC	PRI 7044343 AUX 17053083	7249 7088
1972	5.0L (F) 307"	All	R-2	2GC	7046006	7037
1981-78	5.7L (L,R,X) 350"	All (incl. CA)	R-4	M4MC, M4/MCA	PRI 17051321, 17054572, 17060832 AUX 7043497, 17053083	7090 7088
1980-77	5.7L (L,P,R,X) 350"	All (incl. CA, Hi-Alt, HP)	R-4	M4MC	PRI 7044435 AUX 7044431, 7044433, 17056548	7153 7358
1980-76	5.7L (J,L,P,R,X) 350"	All (incl. CA)	R-4	M4MC	17050759	7090
1980-75	5.7L (E,J,L,P,R,X) 350"	All	R-4	M4MC	PRI 17051261 AUX 17050742	7090 7086
1978-75	5.7L (E,J,L,P,R,X) 350"	All	R-2	2GC,2GV	7044056, 17052732	7037
1976-75	5.7L (H,M) 350"	All	R-2	2GC	PRI 7043586 AUX 17052363	7118 7119
1976-75	5.7L (H,M) 350"	Ventura	R-2	2GC	PRI 7043585 AUX 7043626	7079 7084
1975	5.7L (E,J) 350"	All (incl. Canada)	R-4	M4MC	PRI 17050759 AUX 17050756	7090 7095
1974	5.7L (J,K) 350"	All (exc. Super Duty)	R-4	4MV	7040370, 7047864	7040
1974-73	5.7L (M,N) 350"	All	R-2	2GC	7030987	7084
1972-71	5.7L (M,N) 350"	All	R-2	2GC,2GV	7042687, 7043773	7004
1970-68	5.7L 350"	All	R-2	2GV	7035610, 7036539, 7038941	7028

CHOKEPULL-OFFS

YEAR	ENGINE	MODEL	MFG	TYPE	OE#	PART#
PONTIAC 8 cyl (Contd)						
1970-67	5.7L 350"	All	R-4	4MV	7038237, 7035493, 7034736, 7033871	7017
1966	6.3L 389"	All (w/3 Carb)	R-4	4GC	7026097	7028
1979-78	6.6L (Z) 400"	All (incl. CA)	R-4	M4MC, M4/MCA	PRI 17051321, 17054572, 17060832 AUX 7043497, 17053083	7090 7088
1979-77	6.6L (K) 403"	All (incl. CA, Hi-Alt, HP)	R-4	M4MC	PRI 7044435 AUX 7044431, 7044433, 17056548	7153 7358
1974-73	6.6L (P,R) 400"	All	R-2	2GC	7030987	7084
1974-73	6.6L (S,T) 400"	All (exc. Super Duty)	R-4	4MV	7040370, 7047864	7040
1972-71	6.6L (P,R) 400"	All	R-2	2GC,2GV	7042687, 7043773	7004
1972-70	6.6L (S,T) 400"	All (incl. HP)	R-4	4MV	7042643, 7043898	7058
1970	6.6L 400"	All (exc. Ram Air)	R-4	4MV	7026214	7029
1970-68	6.6L 400"	All	R-2	2GV	7035610, 7036539, 7038941	7028
1970-67	6.6L 400"	All	R-4	4MV	7038237, 7035493, 7034736, 7033871	7017
1970-67	7.0L 428"	All	R-4	4MV	7038237, 7035493, 7034736, 7033871	7017
1966	7.0L 421"	All (w/3 Carb)	R-4	4GC	7026097	7028
1974-73	7.5L (W,X,Y) 455"	All (exc. Super Duty)	R-4	4MV	7040370, 7047864	7040
1972-71	7.5L (U,V) 455"	All	R-2	2GC,2GV	7042687, 7043773	7004
1972-70	7.5L (W,X,Y) 455"	All (incl. HP)	R-4	4MV	7042643, 7043898	7058
1970	7.5L 455"	All (exc. Ram Air)	R-4	4MV	7026214	7029

RENAULT

4 cyl.

1981	1.4L (9) 85"	LeCar	W-2	-	7701-025-248	7389
------	--------------	-------	-----	---	--------------	------

CHOKEPULL-OFFS

YEAR	ENGINE	MODEL	MFG	TYPE	OE#	PART#
------	--------	-------	-----	------	-----	-------

TOYOTA

4 cyl.

1979-74	1.6L (2-TC) 97"	Celica, Corolla, Pickup (incl. Canada, Hi-Alt)	A-2	-	21192-26350, 21192-26351, 21192-26400, 21192-26510, 21192-26800, 21192-28090, 21192-38010, 21192-38012, 21192-38140	7242
1980	1.8L (3T-C) 108"	Celica, Corolla, Pickup (incl. Canada, Hi-Alt)	A-2	-	21192-26350, 21192-26351, 21192-26400, 21192-26510, 21192-26800, 21192-28090, 21192-38010, 21192-38012, 21192-38140	7242
1970	1.9L (8R) 116"	Celica, Corona, Mark II, Pickup	A-2	-	21609-34060, 21609-34061	7218
1973-70	2.0L (18R-C) 120"	Celica, Corona, Mark II, Pickup	A-2	-	21609-34060, 21609-34061	7218
1980-75	2.2L (20R) 134"	Celica, Corona, Pickup (Choke Positioner)	A-2	-	21609-38010, 21609-38220, 21679-38011, 21679-38013	7244
1980-75	2.2L (3K-C,20R) 71"	Celica, Corolla, Pickup	A-2	-	21192-26350, 21192-26351, 21192-26400, 21192-26510, 21192-26800, 21192-28090, 21192-38010, 21192-38012, 21192-38140	7242
1988-81	2.4L (22R) 144"	Celica, Corona, Pickup (incl. CA)	A-2	-	21669-37040	7401

OPENERS

1982	1.5L (3A,3A-C) 89"	Tercel	A-2	-	21191-15161	7381
1982-80	1.8L (3T-C) 108"	Corolla	A-2	-	21191-28080	7382
1980	2.2L (20R) 134"	Celica, Corona, Pickup	A-2	-	21191-38311	7383

POSITIONER

1982-80	1.8L (3T-C) 108"	Corolla	A-2	-	21679-28080	7384
---------	------------------	---------	-----	---	-------------	------

VOLKSWAGEN

4 cyl.

1974-63	All	Beetle, Super Beetle	SL-1	-	113-129-221	7221
1976-75	1.5L (FC,FG,XR,XS) 90"	Dasher, Rabbit, Scirocco	Z-2	-	055-129-223	7222

CHOKEPULL-OFFS

OEM INTERCHANGES

OEM #	PART #	OEM #	PART #	OEM #	PART #	OEM #	PART #	OEM #	PART #
AMC / JEEP		3419508	7392	4186247	7063	D7WZ-9S514A	7125	E4PZ-9S514C,D	7246
4488478	7000	3419511	7392	4186290	7043	D7ZZ-9S514A	7043	E4TZ-9S514A	7105
4488748	7000	3419515	7023	4240064	7072	D7ZZ-9S514B,C	7105	E5PZ-9J549A	7366
8120089	7000	3419584	7027	4240079	7115	D8AZ-9S514B	7105	E5PZ-9J549B	7369
8121417	7000	3419587	7063	4240198	7115	D8AZ-9S514C,D	7125	E5PZ-9S514A,B	7369
8127321	7063	3419614	7021	4267091	7189	D8AZ-9S514E,F	7105		
8127372	7120	3419617	7021	4267095	7115	D8AZ-9S514G,H	7105		
8128313	7105	3419620	7023	4267123	7260	D8AZ-9S514J,L	7105	GENERAL MOTORS	
8130707	7105	3419621	7392	4267130	7063	D8AZ-9S514M	7105	10005732	7115
8132550	7063	3514865	7022	4267133	7255	D8AZ-9S514N	7043	14009797	7077
8132848	7168	3549430	7098	4267137	7263	D8AZ-9S514P	7105	14009798	7077
8132898	7063	3549450	7392	4267178	7115	D8BZ-9S514B	7105	14029849	7077
8133461	7063	3619620	7023	4267179	7260	D8DZ-9S514A	7105	14050669	7349
8133993	7303	3621209	7043	4271915	7260	D80Z-9S514A	7105	14071857	7349
8134496	7063	3621210	7043	4271918	7260	D8PZ-9S514A,B	7369	14082791	7349
8134544	7063	3621261	7023	4271950	7324	D8PZ-9S514C,D	7230	14082792	7349
8983500923	7333	3621272	7392	4271954	7063	D8TZ-9S514A	7105	335124	7115
8983501002	7333	3621274	7023	4271955	7063	D8UZ-9S514A	7105	345644	7115
8983501019	7351	3683874	7392	4271956	7063	D8WZ-9S514A	7105	360971	7115
8983501020	7224	3685717	7098	4293772	7115	D8ZZ-9S514A,B	7105	360972	7115
8983502112	7333	3685730	7392	4293895	7189	D9AZ-9J549A	7228	374558	7115
		3685731	7392	4342838	7293	D9AZ-9S514N	7279	464089	7115
		3685732	7392	4342912	7176	D9PZ-9J549A	7077		
		3685733	7098			D9PZ-9J549B	7228	HONDA	
CHRYSLER		3685734	7023			D9PZ-9S514A,B	7369	16015-689-005	7248
2448970	7006	3685846	7392	FORD		D9PZ-9S514C,D	7230	16015-689-015	7248
2448971	7006	3744549	7392	D0AZ-9J549A,B	7000	D9TZ-9S514A	7105	16015-689-661	7248
2448976	7021	3744550	7392	D0AZ-9S514C	7000	E0AZ-9S514D	7247	16015-689-671	7248
2448989	7021	3780153	7063	D00Z-9S514A	7017	E0AZ-9S514M	7279	16015-PB2-691	7248
2448990	7004	3780154	7063	D0PZ-9J549A	7077	E0PZ-9J549A,C	7077	16015-PB2-692	7248
2584423	7015	3780154	7063	D1FZ-9J549A	7077	E0PZ-9J549E	7077	16015-PB2-841	7248
2585415	7098	3780514	7063	D2RY-9J549A	7077	E0PZ-9S514A	7230	16015-PC2-661	7248
2585416	7098	3780672	7072	D3AZ-9J549A	7077	E0PZ-9S514B	7023	16015-PC2-851	7248
2585418	7063	3780673	7072	D3AZ-9S514A	7105	E1AZ-9S514C	7105	16025-657-670	7341
2585423	7015	3870672	7072	D3FZ-9J549A	7077	E1PZ-9J549A	7235	16025-657-671	7341
2585424	7021	3879116	7098	D4AZ-9J549A	7043	E1PZ-9J549B	7369	16025-671-005	7341
2585781	7027	3879173	7063	D5AZ-9S514A,B	7105	E1PZ-9J549C-D	7235	16026-671-005	7362
2585783	7021	3879799	7098	D5AZ-9S514C	7105	E1PZ-9S514A-B	7246	16026-689-005	7362
2585788	7063	3879841	7063	D5AZ-9S514D,E	7105	E1SZ-9S514A	7125	16026-689-671	7362
2808030	7015	3879842	7063	D5AZ-9S514F,P	7105	E1SZ-9S514B	7105	16026-689-811	7362
2808042	7392	4026224	7098	D5DZ-9S514A	7105	E1TZ-9S514A	7105	16026-PA0-671	7362
2809201	7098	4046224	7098	D5TZ-9S514B,C	7105	E1TZ-9S514B,D	7125	16026-PA5-661	7362
2809251	7023	4049174	7043	D5UZ-9S514A,B	7105	E1TZ-9S514F,G	7105	16026-PA5-671	7362
2809284	7015	4049205	7021	D5VZ-9A977A	7165	E25Z-9S514A	7105	16026-PA6-662	7362
2809287	7027	4049239	7043	D5ZZ-9S514A,B	7105	E2PZ-9J549A	7235	16026-PA6-671	7362
2809291	7392	4049240	7043	D6DZ-9S514A	7105	E2SZ-9S514D	7105	16026-PA6-851	7362
2809369	7098	4049271	7072	D6ZZ-9S514A	7105	E2SZ-9S514S	7105	16026-PA6-852	7362
2809378	7023	4049275	7043	D7AZ-9S514C,D	7105	E2TZ-9S514B	7105	16026-PB2-691	7362
2809388	7392	4049323	7063	D7AZ-9S514E,J	7105	E3PZ-9J549A,B	7369	16026-PB6-691	7362
2809389	7392	4106096	7043	D7AZ-9S514K	7105	E3PZ-9J549C	7369	16026-PC2-661	7362
2825424	7021	4131088	7189	D7BZ-9S514A,B	7105	E3PZ-9J549D,E	7235	16026-PC2-681	7362
2909284	7015	4131130	7115	D7DZ-9S514A	7105	E3PZ-9J549F	7369	16026-PC2-701	7362
2933002	7063	4131139	7115	D7PZ-9A977A	7164	E3TZ-9S514A	7105	16026-PD2-661	7362
2933101	7021	4131210	7115	D7PZ-9S514A	7164	E4PZ-9J549A,B	7366	16026-PD2-671	7362
2933102	7027	4131250	7043	D7TZ-9S514B	7105	E4PZ-9J549C	7366	16045-PE0-731	7340
2933103	7063	4186136	7115	D7VZ-9A977A	7165	E4PZ-9J549D	7371	16045-PE0-741	7340
2933182	7021	4186226	7063	D7VZ-9S514B	7165	E4PZ-9S514A,B	7246	16045-PE0-771	7340
2933185	7063	4186242	7063					16045-PE0-901	7340
2933190	7027								

OEM INTERCHANGES (Contd)

OEM #	PART #	OEM #	PART #	OEM #	PART #	OEM #	PART #	OEM #	PART #
16045-PE1-741	7340	RENAULT		17060832	7090	17067959	7065	17072541	7395
16045-PE1-751	7340	7701-025-248	7389	17061965	7086	17068041	7252	17074301	7296
16045-PE1-761	7340			17062251	7169	17068042	7291	17078013	7296
16045-PE1-781	7340	ROCHESTER		17062293	7168	17068050	7252	17078024	7296
16045-PE1-821	7340	17041534	7090	17062339	7224	17068052	7252	17078028	7297
16045-PH4-661	7372	17050084	7084	17062342	7223	17068053	7289	17078059	7296
16045-PH4-681	7372	17050210	7397	17062344	7225	17068060	7296	17078122	7297
16045-PK1-661	7403	17050374	7397	17062346	7225	17068087	7296	17078138	7297
16045-PK1-901	7403	17050396	7059	17062348	7185	17068090	7296	17078140	7252
		17050397	7059	17062360	7249	17068093	7297	17078150	7297
		17050728	7017	17062370	7188	17068102	7303	17078169	7296
NISSAN		17050733	7358	17062371	7188	17068105	7304	17078208	7291
16010-H9920	7386	17050742	7086	17063485	7249	17068109	7296	17078307	7286
16010-H9970	7386	17050756	7095	17063824	7323	17068110	7289	17078312	7249
16010-M6610	7379	17050759	7090	17063828	7090	17068120	7297	17078321	7249
16011-10W00	7377	17051025	7083	17063958	7169	17068305	7285	17078394	7297
16011-10W01	7377	17051027	7083	17064198	7168	17068310	7285	17078531	7387
16011-20W00	7377	17051261	7090	17064232	7225	17068312	7249	17078640	7297
16011-20W20	7377	17051321	7090	17064234	7223	17068319	7249	17078647	7297
16011-31M00	7376	17051663	7397	17064434	7086	17068334	7286	17078676	7297
16011-33M00	7376	17052191	7083	17064477	7169	17068335	7286	17078683	7297
16011-B8910	7212	17052250	7065	17064563	7168	17068345	7249	17078723	7188
16011-B9901	7212	17052346	7225	17064602	7188	17068384	7090	17078735	7090
16011-H3910	7211	17052363	7119	17064797	7095	17068424	7286	17078736	7323
16011-H7200	7390	17052371	7188	17064833	7225	17068547	7252	17078773	7297
16011-H7203	7213	17052732	7037	17064917	7249	17068548	7287	17078775	7297
16011-H7210	7390	17053083	7088	17064919	7358	17068556	7252	17078777	7297
16011-H7260	7390	17053201	7090	17065007	7296	17068623	7252	17078787	7252
16011-H7300	7390	17053740	7090	17066439	7285	17068637	7297	17079108	7252
16011-H7311	7390	17054572	7090	17066600	7297	17068647	7297	17079119	7252
16011-H7680	7213	17056010	7249	17066608	7291	17068674	7296	17079150	7297
16011-H8310	7390	17056167	7249	17067139	7293	17068676	7297	17079165	7297
16011-H9160	7213	17056548	7358	17067173	7249	17068695	7296	17079168	7297
16011-H9500	7211	17056569	7086	17067211	7153	17068768	7291	17079181	7297
16011-H9510	7211	17056583	7178	17067215	7090	17068787	7252	17079222	7297
16011-H9511	7211	17056875	7067	17067217	7395	17068802	7400	17079239	7304
16011-H9800	7211	17058294	7086	17067331	7090	17068834	7286	17079258	7296
16011-H9810	7211	17058485	7168	17067333	7090	17068895	7286	17079259	7297
16011-M4900	7390	17059277	7293	17067335	7286	17068926	7312	17079404	7323
16011-M5900	7390	17059312	7090	17067337	7286	17068927	7312	17079409	7090
16011-N0918	7212	17059313	7323	17067339	7395	17068931	7312	17079410	7090
16011-N5800	7212	17059431	7312	17067342	7395	17070012	7168	17079437	7285
16011-N5900	7212	17059471	7296	17067348	7090	17070050	7090	17079482	7291
16011-U9400	7212	17059514	7303	17067438	7090	17070054	7249	17079570	7296
16011-W5840	7212	17059516	7304	17067439	7312	17070055	7249	17079587	7296
16011-W5900	7212	17059638	7252	17067440	7312	17070063	7153	17079613	7291
16199-U2200	7212	17059759	7090	17067465	7153	17070067	7153	17079770	7297
16199-U7500	7212	17059772	7291	17067466	7249	17070104	7289	17079772	7297
16199-U9510	7212	17060445	7065	17067468	7285	17070122	7090	17079871	7293
16199-W6800	7212	17060446	7065	17067497	7249	17070125	7090	17079939	7225
16199-W8800	7374	17060447	7065	17067498	7249	17070389	7090	17079940	7224
16199-W8900	7374	17060518	7169	17067544	7169	17071388	7285	17079946	7185
16199-W8901	7374	17060649	7153	17067585	7291	17071424	7297	17079964	7307
16199-W8902	7374	17060650	7169	17067800	7249	17071520	7296	17079965	7306
16262-31M90	7358	17060651	7173	17067815	7153	17071691	7286	17079980	7307
16262-33M70	7225	17060808	7249	17067926	7153	17071853	7291	17079994	7308
		17060825	7169	17067927	7358	17072515	7304	17079996	7224

CHOKEPULL-OFFS

OEM INTERCHANGES (Contd)

OEM #	PART #	OEM #	PART #	OEM #	PART #	OEM #	PART #	OEM #	PART #
17110039	7351	7032425	7011	7038825	7032	7044343	7249	21192-38010	7242
17110058	7351	7032762	7017	7038941	7028	7044431	7358	21192-38011	7242
17110085	7394	7033062	7017	7038942	7028	7044433	7358	21192-38012	7242
17110114	7313	7033073	7017	7038960	7017	7044435	7153	21192-38140	7242
17110128	7394	7033841	7017	7040031	7059	7044593	7065	21609-34060	7218
17110132	7313	7033871	7017	7040034	7084	7044817	7040	21609-34060	7218
17110173	7351	7033989	7017	7040100	7059	7044901	7067	21609-34061	7218
17110176	7225	7034017	7002	7040139	7397	7044903	7067	21609-34061	7218
17110211	7225	7034736	7017	7040181	7067	7045046	7065	21609-38010	7244
17110263	7351	7034909	7017	7040238	7037	7045054	7178	21609-38220	7244
17110266	7225	7035370	7017	7040328	7033	7045064	7397	21669-37040	7401
17110270	7225	7035492	7011	7040329	7032	7045154	7067	21679-28080	7384
17110281	7225	7035493	7017	7040370	7040	7045179	7173	21679-38011	7244
17110331	7307	7035607	7017	7040371	7033	7045561	7397	21679-38013	7244
17110607	7313	7035610	7028	7040374	7032	7045915	7004		
17110651	7336	7035996	7039	7040384	7067	7045921	7058		
17110681	7224	7036096	7028	7040385	7067	7045931	7058	VOLKSWAGEN	
17110961	7293	7036317	7017	7040386	7067	7045961	7017	055-129-223	7222
17111101	7385	7036539	7028	7040474	7067	7045962	7017	113-129-221	7221
17111520	7168	7036766	7028	7040826	7042	7045966	7033		
17111537	7225	7036767	7028	7040849	7028	7045969	7032		
7021050	7007	7036768	7028	7041534	7090	7045971	7033		
7023090	7008	7036769	7028	7041822	7028	7046006	7037		
7023099	7008	7037094	7028	7042595	7017	7046047	7084		
7024094	7028	7037499	7017	7042604	7017	7046234	7058		
7024218	7040	7037500	7017	7042643	7058	7046468	7083		
7024276	7065	7037501	7017	7042687	7004	7046535	7058		
7025091	7008	7037624	7017	7042715	7037	7047493	7059		
7026096	7028	7037625	7017	7043013	7090	7047499	7059		
7026097	7028	7037657	7017	7043090	7397	7047823	7017		
7026125	7084	7037835	7017	7043098	7397	7047827	7017		
7026213	7040	7037906	7084	7043103	7090	7047864	7040		
7026214	7029	7037908	7028	7043127	7082	7047872	7067		
7026278	7028	7037910	7028	7043469	7153	7047874	7067		
7027065	7029	7037911	7028	7043497	7088	7047878	7067		
7027626	7028	7037915	7028	7043585	7079	7048200	7067		
7027641	7084	7037953	7028	7043586	7084	7048206	7067		
7027649	7028	7038036	7028	7043593	7037	7048211	7067		
7027652	7028	7038037	7028	7043597	7178	7048238	7037		
7027653	7028	7038038	7028	7043626	7084	7048884	7067		
7027661	7028	7038237	7017	7043674	7042	7048893	7032		
7027662	7028	7038238	7017	7043676	7042	7048899	7067		
7028644	7008	7038239	7017	7043719	7017	7049893	7084		
7029054	7032	7038245	7017	7043720	7033				
7030524	7058	7038246	7017	7043732	7040				
7030543	7058	7038270	7040	7043773	7004	TOYOTA			
7030627	7033	7038309	7029	7043898	7058	21191-15160	7380		
7030713	7396	7038535	7042	7043900	7040	21191-15161	7381		
7030775	7058	7038538	7042	7043988	7058	21191-28080	7382		
7030776	7058	7038624	7028	7043999	7017	21191-38011	7242		
7030918	7396	7038632	7028	7044013	7090	21191-38012	7242		
7030987	7084	7038718	7029	7044017	7122	21191-38311	7383		
7031101	7011	7038726	7017	7044020	7090	21192-26350	7242		
7031237	7011	7038727	7017	7044027	7122	21192-26351	7242		
7031388	7011	7038732	7004	7044051	7178	21192-26400	7242		
7031918	7065	7038813	7028	7044056	7037	21192-26510	7242		
7031929	7011	7038818	7028	7044064	7119	21192-26800	7242		
						21192-28090	7242		

CHOKEPULL-OFFS

NUMERICAL LIST

PART MFG	APPLICATION & YEAR	PART MFG	APPLICATION & YEAR
7000	F-2 AMC 70-79, FORD, MERC 70-74, F TRK 70-75, 79-80, JEEP 70-86	7153	R-4 BUICK 77-90, CAD 81-90, CHEV 86-90, C TRK, GMC TRK 77-78, OLDS 75-90, PONT 77-81, 86-89
7002	R-1 BUICK, OLDS, PONT 68-71, CHEV 68-72, C TRK, GMC TRK 69-71	7165	F-4 FORD, LINC, MERC 75-78, F TRK 76
7004	R-2 BUICK 71, DODGE, PLY 64, PONT 71-72	7168	R-2 AMC, JEEP 80, BUICK 80-81, CHEV, OLDS, PONT 79-81
7008	R-1 CHEV 63-67, OLDS 66, PONT 64-68	7169	R-2 BUICK, OLDS 78-81, CHEV, PONT 79-81
7017	R-4 BUICK 67-69, 71-74, CAD 67-71, CHEV, OLDS 67-69, C TRK, GMC TRK 68-69, FORD, MERC 70-71, PONT 67-70	7173	R-2 BUICK, PONT 78-81, CHEV 79-80, OLDS 78-82
7023	H-4 CHRY, DODGE, PLY 67-72, FORD, MERC 80	7178	R-4 CAD 75-80
7028	R-2 BUICK 68-74, CHEV 64-71, C TRK, GMC TRK 69-71, JEEP 68-71, OLDS 66, PONT 68-70	7185	R-1 C TRK, GMC TRK 79-80, 84
7029	R-4 CAD, PONT 70	7188	R-4 C TRK, GMC TRK 79-80, 82-85
7032	R-2 BUICK 70-74	7189	H-2 CHRY, DODGE, PLY 78-79, 85-89, D TRK 78-87
7033	R-4 BUICK 71-74, CHEV 72	7211	HI-2 NISSAN 72, 81-82
7037	R-2 BUICK, OLDS 77-78, CHEV, C TRK, GMC TRK 71-78, PONT 72, 75-78	7212	HI-2 NISSAN 72-74, 77-81
7039	R-2 OLDS 71-73	7213	HI-2 NISSAN 78-80
7040	R-4 OLDS 70-72, PONT 73-74	7218	A-2 TOYOTA 70-73
7042	R-4 CHEV, C TRK, GMC TRK 70-71	7221	SL-1 VW 63-74
7043	C-4 CHRY 72-82, DODGE 71-80, 83-84, D TRK 74-85, FORD, LINC, MERC 74, PLY 71-79, 81	7222	Z-2 VW 75-76
7058	R-4 CAD 72-74, PONT 70-72	7223	R-2 BUICK, CHEV, OLDS, PONT 80
7059	R-4 CHRY 75-80, GMC TRK 75, OLDS 73-74	7224	R-2 BUICK, CHEV, OLDS, PONT 80, 84-86, C TRK, GMC TRK 84-85, JEEP 84-86
7063	C-2 AMC 76-88, CHRY 75-84, DODGE, PLY 65-84, D TRK 70-85, JEEP 77-88	7225	R-2 BUICK, CHEV, OLDS, PONT 80, 84-86, C TRK, GMC TRK 79-80, 84-85
7065	R-1 BUICK 75, CHEV 75-79, C TRK, GMC TRK 75-86, OLDS, PONT 75-76	7228	F-2 FORD, MERC 79-90, F TRK 81-83, LINC 80-85
7067	R-4 CHEV 72-74, C TRK, GMC TRK 72-78	7230	H-1 FORD, MERC 78-81
7072	H-1 CHRY 79-80, DODGE, PLY 74-80, D TRK 81	7235	H-2 D TRK 83-85, FORD, MERC 81-83
7077	H-2 CHEV 79-86, FORD, MERC 71-82, PONT 81-86	7242	A-2 TOYOTA 74-80
7079	R-2 BUICK, OLDS, PONT 75-78, CHEV 78	7244	A-2 TOYOTA 75-80
7082	R-1 BUICK 75, CHEV 73-76, C TRK, GMC, OLDS, PONT 75-76	7246	H-1, F-2 FORD, MERC 81-85
7083	R-2 BUICK, PONT 75-76, OLDS 75-77	7248	K-3 HONDA 79-83
7084	R-2 BUICK, OLDS, PONT 75-78, CHEV 78	7249	R-2 BUICK 77-88, CHEV 78-88, C TRK, GMC TRK 79-81, 85-89, DODGE 85-89, OLDS 78-88, PLY 87-89, PONT 77-87
7086	R-4 BUICK, PONT 75-80, CAD 80, CHEV 80-81, OLDS 75-76, 81	7252	R-2 BUICK, CAD, CHEV, OLDS, PONT 82-83, C TRK, GMC 83
7088	R-4 BUICK 75, 77-78, 80, OLDS 75, PONT 77-81	7255	C-4 CHRY 81-82, DODGE, PLY 81, D TRK 81-83
7090	R-4 BUICK, OLDS 75-84, CAD, PONT 75-82, CHEV 75-81, C TRK, GMC TRK 75-86	7260	H-1 CHRY, PLY 81-82, DODGE 81, D TRK 81-83
7095	R-4 CHEV, PONT 75, C TRK, GMC 75-76	7263	C-4 D TRK 81-83
7098	H-2 CHRY, DODGE, PLY 75-79, D TRK 75-82	7285	R-2 BUICK, OLDS, PONT 81-87
7105	F-2 AMC 77-79, FORD 75-85, F TRK, MERC 75-86, JEEP 77-86, LINC 77-80, 82	7286	R-4 BUICK, OLDS 82-83, CHEV, PONT 81, C TRK, GMC TRK 81-83
7115	H-2 AMC, OLDS 77-79, CHEV 74-79, CHRY 82-86, DODGE, PLY 78-87, D TRK 84-86, FORD, MERC 74, OLDS 77-79, PONT 75-79	7287	R-2 BUICK, CAD, CHEV, OLDS, PONT 82-83, C TRK, GMC 83
7119	R-2 PONT 75-76	7289	R-2 C TRK, GMC TRK 81-83
7120	F-4 AMC 75-76, JEEP 75-78	7291	R-2 BUICK, CHEV, OLDS, PONT 81-83, CAD, C TRK, GMC TRK 82-83
7122	R-4 BUICK 77-79, CHEV 76-80, C TRK, GMC 76-77	7293	R-4 C TRK, GMC TRK 81-88, DODGE 85-89, D TRK 85-87, PLY 87-89
7125	F-2 FORD, MERC 77-81, F TRK 77-84, LINC 77-78	7296	R-2 BUICK, CHEV, C TRK, GMC TRK, OLDS, PONT 81-83
		7297	R-2 BUICK, CHEV, OLDS, PONT 81-83, C TRK, GMC TRK 82-83

NUMERICAL LIST (Contd)

PART MFG	APPLICATION & YEAR	PART MFG	APPLICATION & YEAR
7303	R-2 AMC, JEEP, PONT 81-83, BUICK 81-82, CHEV, OLDS 81	7381	A-2 TOYOTA 82
7304	R-2 BUICK 81 & 83, CHEV, OLDS 81, PONT 81-83	7382	A-2 TOYOTA 80-82
7306	R-2 BUICK, CAD, CHEV, C TRK, GMC TRK, OLDS, PONT 84	7383	A-2 TOYOTA 80
7307	R-2 BUICK, CAD, CHEV, C TRK, GMC TRK, OLDS, PONT 84	7384	A-2 TOYOTA 80-82
7308	R-2 BUICK, CHEV, OLDS, PONT 84-86	7385	R-4 BUICK 88-90, CAD, CHEV, PONT 86-90, OLDS 84-90
7313	R-4 BUICK 84-88, CHEV 80-88, C TRK, GMC TRK 84-89, OLDS, PONT 86	7386	HI-2 NISSAN 80
7323	R-4 C TRK, GMC TRK 80-89	7387	R-2 C TRK, GMC TRK 82-83
7324	H-1 CHRY, DODGE, PLY 83, D TRK 82-87	7389	W-2 RENAULT 81
7333	C-1 JEEP 84-88	7390	HI-2 NISSAN 75-80
7336	R-4 C TRK, GMC TRK 84-86	7392	H-2 CHRY 70 & 72, DODGE, PLY 65-74, D TRK 71-81
7340	K-2 HONDA 84-87	7394	R-4 BUICK 84-86, OLDS 84-85
7341	K-3 HONDA 75-79	7395	R-4 BUICK, OLDS 81-83, CAD, PONT 81-82
7349	H-2 CHEV, PONT 82-87	7396	R-1 BUICK, OLDS 73-74, CHEV, C TRK, GMC TRK 72-76, PONT 72-74
7351	R-2 BUICK, CHEV, C TRK, GMC TRK, OLDS, PONT 84-85, JEEP 84-86	7397	R-1 CHEV 73-79, PONT 75-76
7358	R-4 BUICK, PONT 77-81, CHEV 80-81, OLDS 75-82	7398	MI-SL CHRY IMPORT, MAZDA, MITSUBISHI 80-86
7362	K-3 HONDA 80-85	7399	MI-SL CHRY IMPORT, MAZDA, MITSUBISHI 80-86
7366	H-4 FORD, MERC 84-86, F TRK 85-87	7400	R-2 BUICK, CHEV, OLDS, PONT 81-87
7369	C-1 FORD, MERC 78-80, 83-85, F TRK 81-86	7401	A-2 TOYOTA 81-88
7371	H-4 FORD, MERC 85, F TRK 85-87	7403	A-2 HONDA 88-90
7372	K-2 HONDA 87-89	7404	MI-SL CHRY IMPORT, MAZDA, MITSUBISHI 87-90
7374	HI-2 NISSAN 80-82	7405	MI-SL CHRY IMPORT, MAZDA, MITSUBISHI 87-90
7376	HI-2 NISSAN 82-83	7406	MI-SL CHRY IMPORT, MAZDA, MITSUBISHI 87-90
7377	HI-2 NISSAN 83	7408	MI-SL CHRY IMPORT, MAZDA, MITSUBISHI 87-90
7379	HI-2 NISSAN 80	7409	MI-SL CHRY IMPORT, MAZDA, MITSUBISHI 87-90
		7410	MI-SL CHRY IMPORT, MAZDA, MITSUBISHI 80-86
		7411	MI-SL CHRY IMPORT, MAZDA, MITSUBISHI 80-86